



TRIO

HI-FI STEREO
1977 CATALOGUE



Trio - Progress and New Technology.

The Trio product range offers you a wide selection of HiFi equipment specifically designed to cater for even the most exacting enthusiast. Trio have succeeded, by using their advanced technological resources and latest production methods, in producing a range of realistically priced high grade equipment that is among the best on the world market today. From the sensibly priced KA-1500 amplifier, right up to the sophisticated, high-powered Model 600, all Trio models incorporate the same design policy – the best possible cost/performance ratio, precision engineering and utter reliability.

Contents

Amplifiers/Tuners	5, 6, 7, 8, 9
Loudspeakers	10
Receivers	11, 12, 13, 14
Turntables	15, 16, 17
Cassette Decks	18, 19
Headphones	18, 19
Systems	20, 21, 22, 23

This brochure is designed to enable you to acquaint yourself with the many important aspects of Trio high fidelity equipment, before visiting your Trio dealer. The varying technical knowledge of hifi enthusiasts has, as far as possible, been taken into consideration. For your guidance the centre pages of this brochure contain a complete summary of data enabling you, at a glance, to decide which model is right for your particular requirement.

Your assurance of quality

Formed in 1946, the Trio Corporation has gained an enviable reputation for its development and manufacture of high class equipment. Trio engineers consider it their duty to build products with the greatest precision. They only use units and components which are totally reliable in operation and possess a long working life. Each individual piece of equipment is rigorously tested and undergoes strict final inspection before it qualifies for the "passed" mark, and is despatched to the end user. This is your assurance of many years of trouble free operation.

The Trio Guarantee

Our confidence in Trio products has led us to introduce a guarantee system which we feel offers very fair protection to our customers' interests.
 3 years for all loudspeakers
 2 years for all receivers, amplifiers and tuners
 1 year for turntables and cassette equipment
 This covers not only spare parts but labour as well, and we state on the guarantee card that: "This guarantee in no way interferes with your rights as a purchaser under Common Law".

Strict calibration methods ensure honest specifications

Trio does not believe in using the "most convenient" calibration methods to obtain visually impressive data. For example: DIN FM sensitivity values "look better" than IHF (Institute of High Fidelity, U.S.A.) values. An IHF sensitivity of 1.5 microvolts is therefore, in reality, better than a DIN 1.5 microvolts sensitivity. Another example: Trio amplifier power output ratings do not relate only to a measuring frequency of 1000 Hz, but covers the whole audio range of 20 Hz–20,000 Hz.

Convenience of operation

Every Trio product comes complete with a well designed, detailed instruction manual. The operating and control functions are clearly set out and fully explained, thus enabling you to use your Trio equipment to its' full potential.

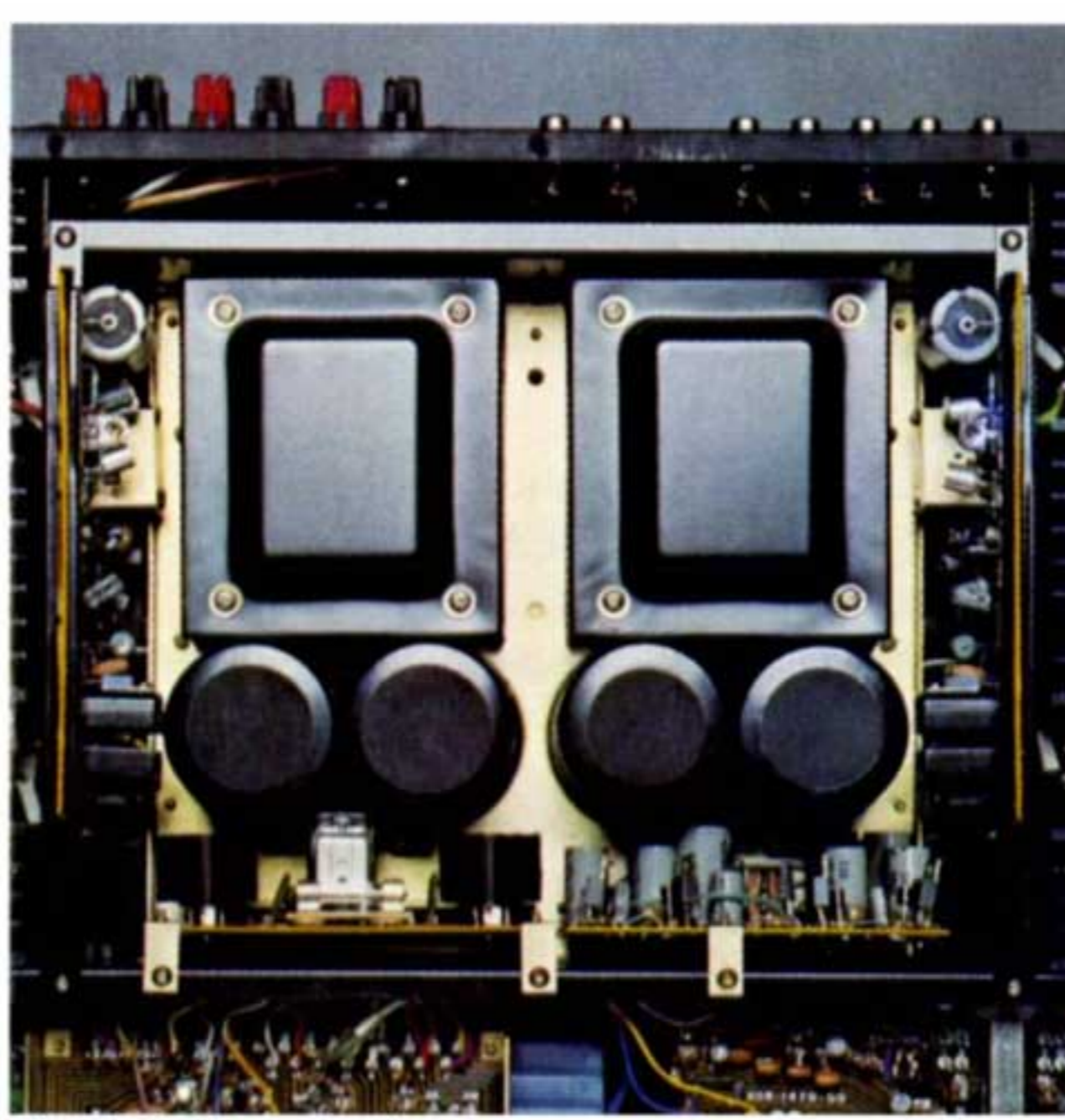
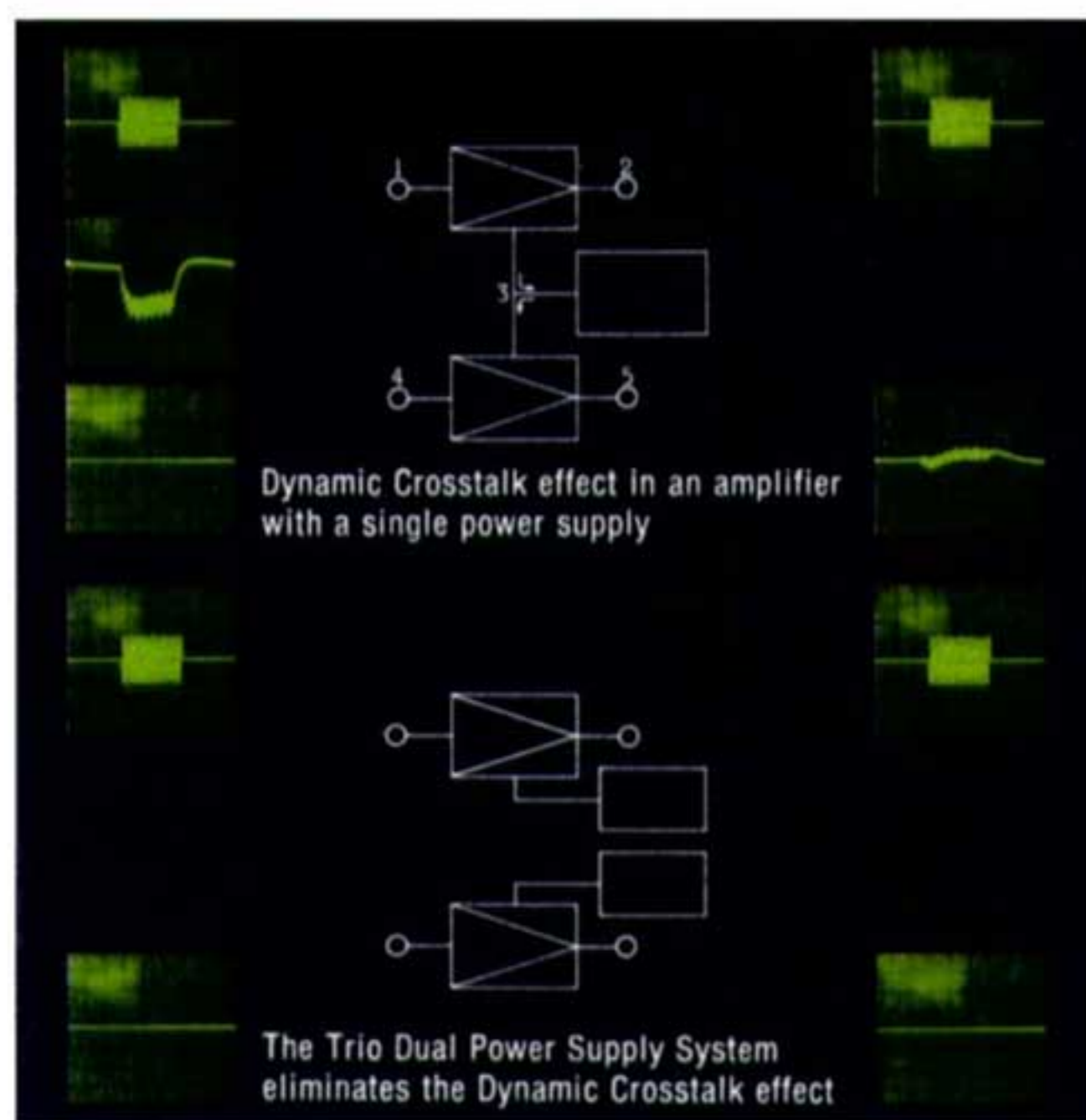
Sensible, functional styling

The aim of Trio's design team was to create a styling concept which visually reflects the high level of technology present in all Trio products. Devoid of unnecessary ornamentation, the styling is purely functional and, as such, creates a professional effect which, in itself, is stylish.

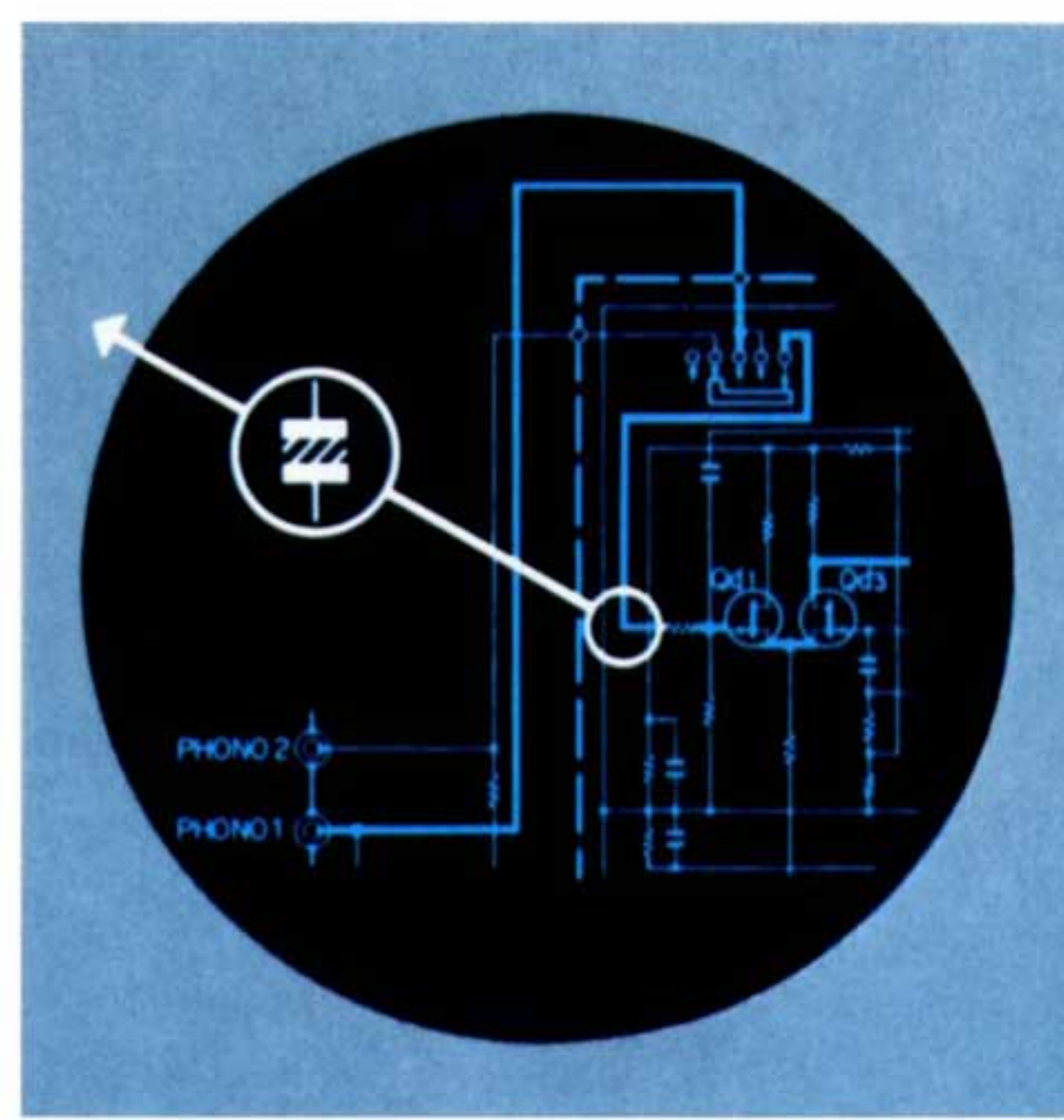
The High Fidelity objective

Whether you like listening to classical music, jazz, organ music or progressive rock, every piece of Trio equipment will remain true to the high fidelity objective. This, of course, is the reproduction of programme material in a manner as close as possible to the original sound. Trio amplifiers ensure natural, uniform, well located sound right across the audible hearing range of 20 Hz–20 KHz. Because the "tone colour" of every musical instrument is determined by the number and volume of its overtones or harmonics, it is vital that these do not suffer from "frequency blending". If an instrument gives out a soft, bright, hard or velvety tone, it must remain thus when reproduced. This also applies to vocal reproduction. Therefore, particular attention is paid to any adverse effects which may interfere with tonal accuracy; these include harmonic, intermodulation and phase distortion.





The Trio Dual Power Supply



The Trio FET pre-amplifier with ICL (Input capacitorless circuitry)

Trio — Quality in all fields

Trio's high fidelity range has definitely benefited from the Research and Development resources, which have established Trio as a world market leader in the following fields:

Communications equipment

Ham radio sets, mobile radio telephones and walkie-talkies, which are extensively utilized throughout the world by amateur, professional and military users. Trio tuners and receivers are built to the same exacting standards.

Electronic test equipment

This range includes oscilloscopes, FET voltmeters, AF and RF signal generators, plus a wide selection of specialist calibration equipment.

The precision manufacturing entailed in this equipment is reflected over the total Trio range. Trio also has a role in the field of musical recording and the production of records and music tapes.

Your local Trio dealer

There are over 400 specialist Trio dealers in the U.K. Each one has been specially appointed by us due to their expertise, demonstration facilities and reputation for fair trading.

When you visit your Trio dealer, you will find that to have the following information ready will prove helpful:

- 1 The size of your listening room with rough details of furnishings, etc.
 - 2 Details of any existing equipment to determine compatibility.
 - 3 If you are interested in a complete system, let your Trio dealer know what your future plans are — Do you intend to add a cassette deck or open reel deck, or both?
- Will you require loudspeakers in any other rooms in the house?

Take some of your favourite records along — this will help you judge the equipment more easily.

Listen critically, and carefully evaluate every feature of the equipment. After all, you're making an investment that will continue to give you pleasure for years to come.

New, refined technology.

First of all, there's the pre-amplifier circuit without input capacitors, fitted to all Trio amplifiers.

The advantages are:

- Phase distortion is eliminated.
- Transient response is improved.
- A large overload capability ensures that even high output pick-ups reproducing high signal modulation will not cause distortion.

DC amplifier system in Model 600

Up until now, DC amplifiers were only used in high-class measurement and test apparatus.

The DC amplifier assures an absolutely smooth frequency response from 0 Hz—70 KHz, resulting in superb reproduction of low notes.

The Dual Power Supply system

Models 600 and KA-7300 each have two totally independent power supply circuits, one for each stereo channel.

This system is designed to overcome the effects of Dynamic Crosstalk.

Imagine that you are listening to a quiet orchestral passage with the violins situated mainly on the left channel. Suddenly, the tympani thunders out from right of centre. The position of the violins on the "stereo sound stage" distorts and shifts momentarily. This is caused by the high power surge to the right channel effectively 'swinging' the output stage supply voltage, away from the left channel. Trio engineers devised a special test for this effect and the theory of Dynamic Crosstalk was explained.

Dynamic Crosstalk must not be confused with static crosstalk, measurements of which are made with a steady tone, and bears no real relationship to music reproduction, which as you are aware, is continually varying in loudness and pitch.

Direct coupled amplifier stages

All Trio amplifiers and receivers employ direct coupling techniques.

The advantages are:

- No phase distortion, high stability, improved signal to noise ratio, very low distortion and, of course, higher end quality.

Darlington amplifier modules

All KA series amplifiers are fitted with either Darlington Power Modules or Darlington transistor configurations.

This system is one of the most up to date in electro-acoustics. Specially designed by Trio, the Darlington Power Module provides an improved amplification factor, wider frequency response, lower distortion and a longer working life through highly efficient heat dissipation.

Delay start circuitry

This new circuit only connects the loudspeaker outputs to the power stage once the circuit capacitors are under load and switching has been stabilized. This system prevents the annoying 'pops' and 'crackles' normally heard during initial switch on; subsequently, your loudspeakers run no risk of voice-coil or cone damage.

Tuners with wideband VHF demodulators

The demodulator separates the audio frequency signal from the carrier wave. Trio's new wideband VHF demodulators are ring demodulators having four diodes. Known as quadrature detectors, these operate on the coincidence principle.

These new elements accurately separate the two signals without any loss over the whole frequency range.

Tape recording facilities

Tape recording facilities, with monitoring circuitry, are available on all Trio amplifiers and receivers. Most models have inputs for two tape recorders with flexible switching arrangements to allow a wide range of recording combinations.

Recessed rear panels — cable protection

The receiver rear panels are specially recessed to allow the unit to be fitted close to the rear surface of a wall unit or similar, without the danger of clamping delicate signal leads. This also applies to amplifiers and tuners of higher grade.

Amplifiers and Tuners.

The current Trio range of amplifiers and tuners comprises 12 models over a wide price range. In its own price category, each single piece of equipment attains the highest standards of performance.

We have presented the amplifiers and tuners as hifi stereo combinations. Each combination consists of two instruments which are fully compatible in terms of specifications, performance and dimensions. The front fascias are formed from heavy brushed aluminium and present a matt silver aspect. Controls, switches and scale designs are kept simple to ensure ease of operation.

Tuners – designed for the exacting enthusiasts.

The Trio range of tuners, from the smallest to the largest, offers you perfect high fidelity reception. Every model is designed to ensure that reception is not affected by excessively strong local transmissions or disturbed by the hissing caused by weak, distant stations.

Excellent stereo reception is assured due to advanced Trio technology. Stereo separation is uniform with a clean well located image, while carrier signal leakage is eliminated by a highly effective filter system.

Performance features

High input sensitivity:

Measured to the internationally accepted IHF (Institute of High Fidelity U.S.A.) standard, all Trio tuners offer an exceptionally high FM input sensitivity.

Ranging from 1.9 μ V for KT-5300 to 1.6 μ V for KT-8300.

A high FM sensitivity assures clear, noise free reception of the most distant weak VHF transmitters.

High selectivity

This enables you to receive as many stations as possible, even those with adjacent frequencies, clearly separated from each other. Sometimes, increased selectivity may lead to distortion, but Trio have overcome this problem by using special integrated circuit I.F. amplifiers.

Suppression of transmission on the same wavelength

It may sometimes occur that two stations occupy the same frequency point. Normally, one station will be much weaker than the other, i.e. Continental station as against a local station.

Trio tuners possess a high suppression ratio in the order of 1dB, a figure which can only be bettered by highly sophisticated communications equipment.

Carrier suppression

Once the carrier wave has done its job of delivering the signal from the transmitter to the tuner, it has to be eliminated to prevent its adverse effects on the audio signal.

The Trio system of filtering prevents even the smallest leakage of carrier resulting in clear, noise-free reception.

Precise stereo separation

Uniform stereo separation over the whole audible frequency range is essential for lifelike reproduction.

Two circuits are employed to take care of this: the DSD (Double Switching Demodulator) developed by Trio, which separates the stereo signal precisely from the auxiliary pilot and carrier, and the fixed-phase PLL (Phase Lock Loop) decoder, which automatically corrects any possible phase errors.

Excellent Medium-Wave reception

New circuit innovations such as a complete MW-VHF integrated circuit receiver unit and the pi-filter system provides a vastly improved MW reception.

Shortwave interference is completely suppressed and heterodyne whistling is eliminated.

Large, clear tuning scales

Precise tuning is assured by the use of a local oscillator device. In effect, this means that the difference between the read frequency and the actual reception frequency is negligible.

FM scales are linear calibrated and marked in 100 KHz and 200 KHz divisions.

Special features

The tuners have, according to their price category, been fitted with extras to increase performance and ease of operation. For example, the KT-8300 has a three-stage silent tuner and a Deviation meter which shows the actual modulation level of the received broadcast.

This is a great asset for tape recording enthusiasts.

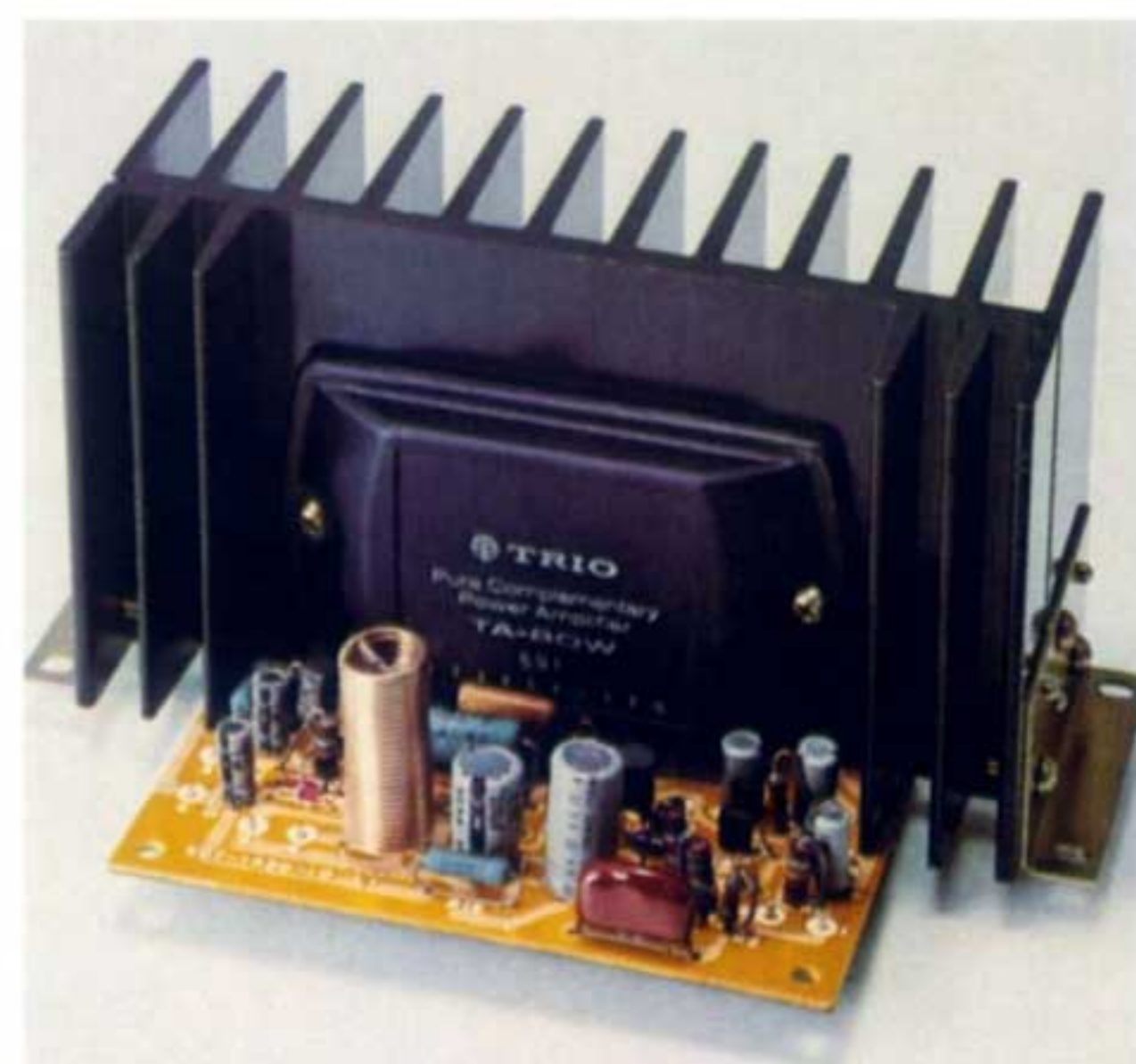
Amplifiers – output power guaranteed from 20 Hz–20 KHz.

The output power quoted by Trio is for the frequency range 20 Hz–20 KHz into 8 ohms, both channels driven. This method of rating exceeds even the strict requirements of The Federal Trade Commission-U.S.A.

It is your assurance of consistent performance right across the audio bandwidth.

Large energy reserves – constant high performance

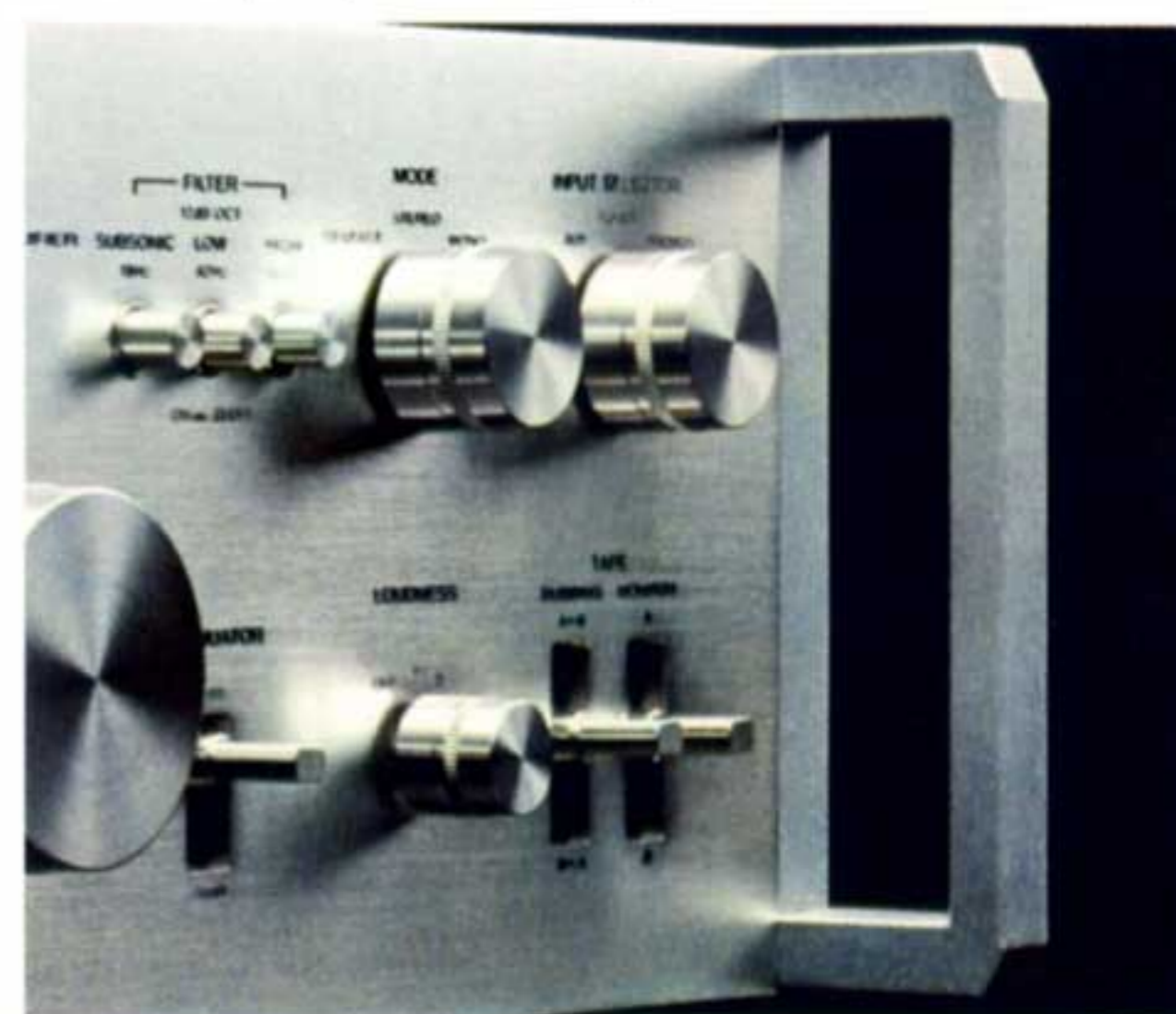
The power supply unit is a vitally important part of any amplifier. Trio have provided all their amplifiers with extra-large, low-scatter mains transformers and high quality smoothing and load capacitors. This method provides excellent electronic and thermal stability.



High efficiency output stage heatsink



Recessed rear panel protects connecting leads



Functional, sensibly located controls

Direct coupled amplifier stages

By the direct coupling of all stages from the input section to the driver and power output stages, Trio amplifiers attain an exceptionally high level of sound quality.

Phase distortion is minimized, signal to noise ratio improved and signal attenuation eliminated.

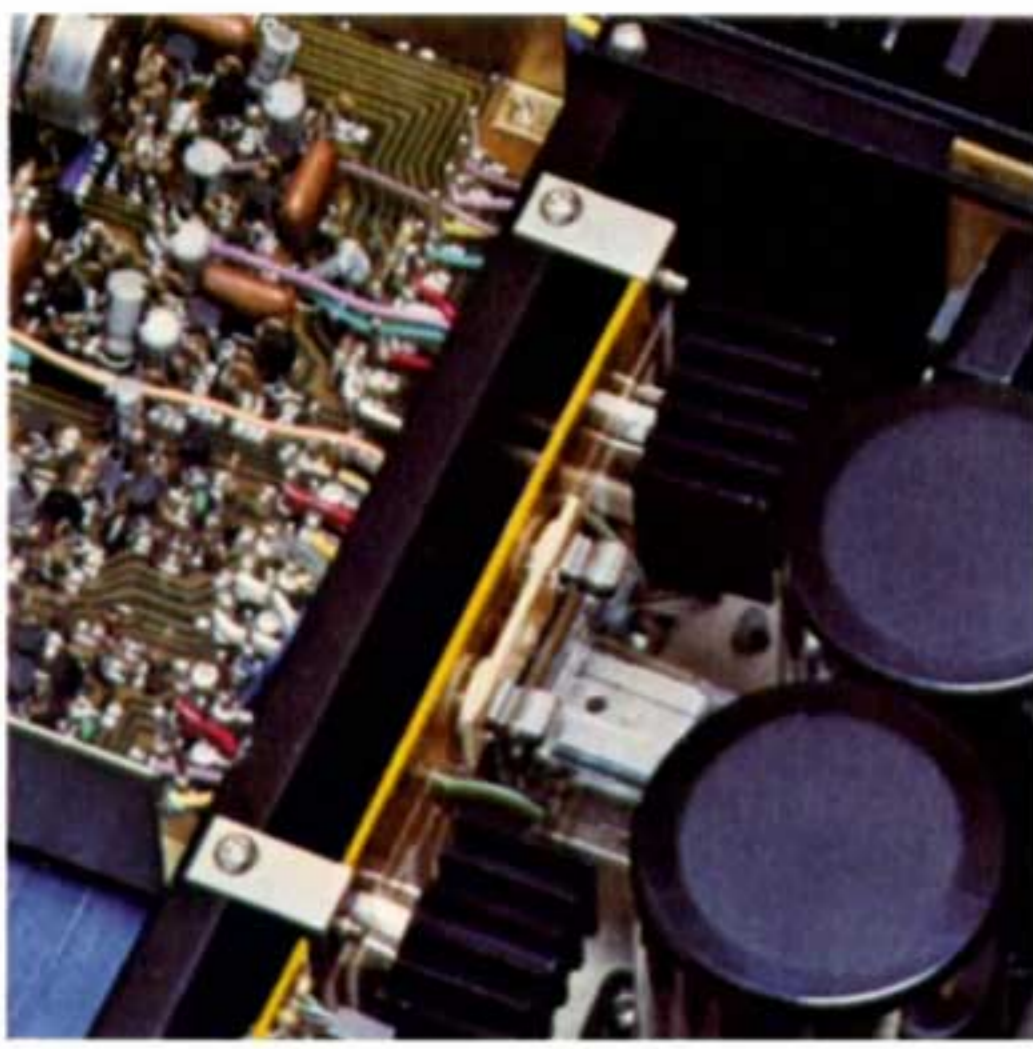
Protection circuits – delay start circuitry

Models 600 and KA-7300 have double protection circuits; the first is designed to prevent damage to the output stage should a short circuit occur, while the second prevents speaker damage by stopping 'pops' and 'crackles' during initial switch on.

All Trio amplifiers and receivers incorporate output stage protection circuitry.

Control functions

All Trio amplifiers have the 'basic' controls that you would expect from a hifi unit. However, as the range progresses the facilities offered become more professional and offer a wider range of adjustment.



The Trio DC amplifier system.
Frequency response 0 Hz to 70,000 Hz



Model 600 stereo amplifier

The Model 600, designed for the most demanding requirements offers you:

- 2 x 130 W RMS at 8 ohms, both channels driven, from 20 Hz–20 KHz with distortion below 0.08 %.
- Dual Power supply system to eliminate Dynamic Crosstalk
- All stages direct coupled
- DC Amplifier system ensuring linear frequency response from 0 Hz upwards
- Input capacitorless pre-amplifier to reduce phase distortion and improve overload characteristics
- Negative feedback dual ganged bass and treble controls for each channel

- Turnover switches for bass and treble controls to adjust control hinge point: Treble – 3 KHz and 6 KHz. Bass – 150 Hz–400 Hz
- Four stage tone compensated volume control having 44 point contacts
- Presence control allowing boost at 800 Hz and 3 KHz
- Attenuator switch to reduce audio output by –15 dB or –30 dB e.g. when lowering stylus, telephoning, etc.
- Subsonic filter to reduce adverse low frequency e.g. record warp excitation. Slope 12 dB/octave

- Rumble filter, 40 Hz at 12 dB/octave
- High filter, 8 KHz at 12 dB/octave
- Tape record facility for A to B record B to A and through circuit
- Double circuit protection and delay start
- Connections:
3 pairs of loudspeakers,
2 stereo tape decks,
2 record decks, headphones,
1 stereo tuner, 2 auxiliary

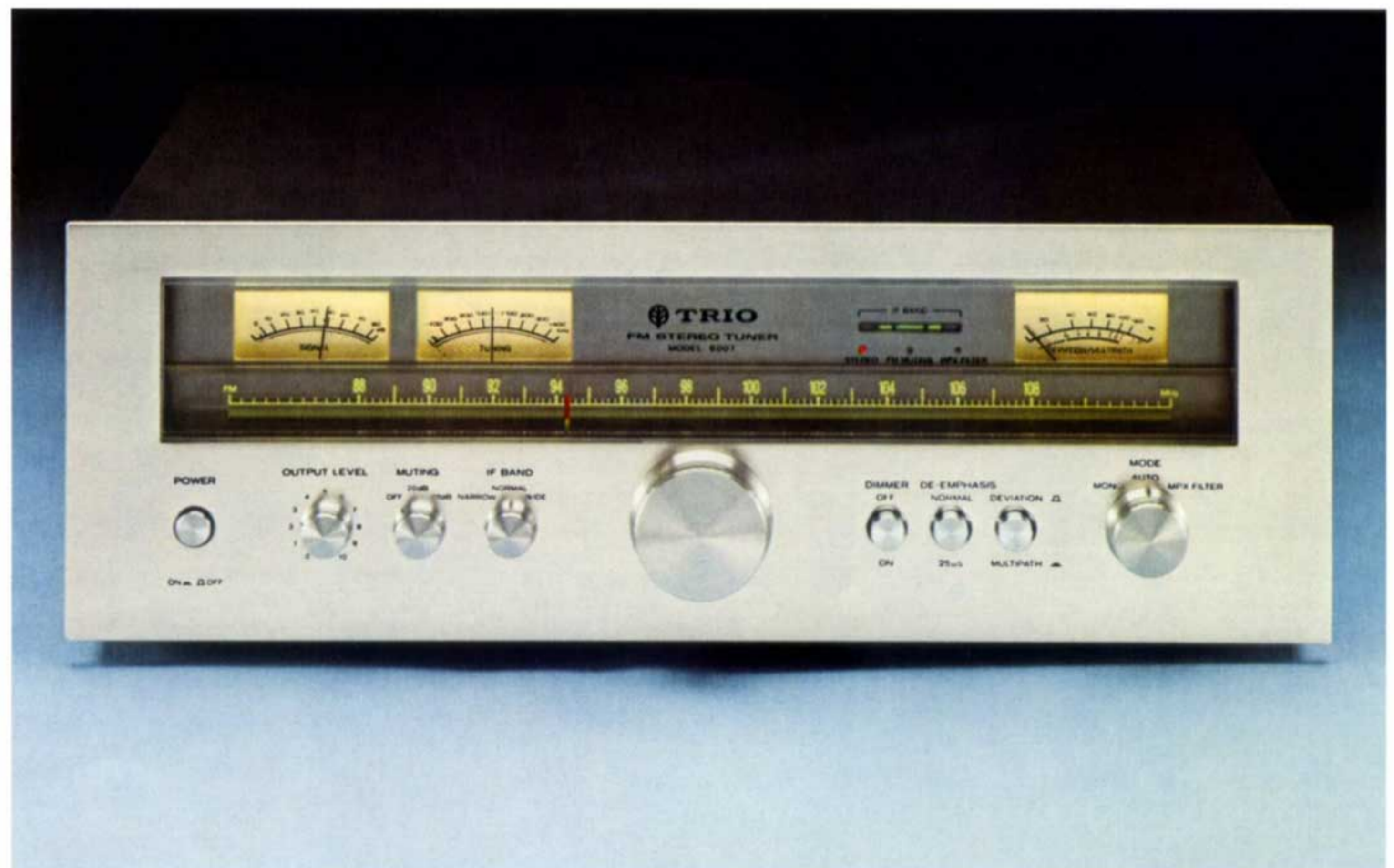
Full specifications are given in the centre data tables.

Model 600 T FM stereo tuner

Model 600 T, a tuner whose performance reaches almost theoretical limits.

- Sensitivity: 1.6 μ V IHF, 9.3 dBf
- Switchable IF band: narrow, normal and wide with visual display
- Three position muting level switch: Off, 20 dB, 40 dB
- Fully variable output level control
- Heavy flywheel action tuning
- Scale illumination dimmer
- Switchable de-emphasis for future Dolby FM transmissions
- Multi-path/Deviation meter
- Separate signal strength and tuning meters
- Anti-parallax mirror for tuning accuracy
- Multipath output for antenna alignment in conjunction with an oscilloscope
- Guaranteed stereo separation of 45 dB from 50 Hz–10 KHz (IF Wide)

Full specifications are given in the centre data tables.



KT-8300 AM/FM stereo tuner

The KT-8300 is designed to the highest standards and is an ideal match for the KA-8300 amplifier.

- FM sensitivity (IHF) 1.6 μ V, Selectivity 80 dB, Capture ratio: 0.8 dB, Stereo separation 45 dB from 50 Hz–10 KHz
 - Special circuitry includes: differential circuit FM input with Dual-Gate MOS FET: Six gang tuning capacitor: I. F. amplifier with one 12 element and one 8 element ceramic filter: Wideband VHF demodulator: PLL stereo decoder and additional DSD demodulator
 - Anti-parallax mirror scale to improve tuning accuracy. Adjustable scale illumination
 - Separate meters for signal strength and centre tuning
 - Multipath meter to assist in correct antenna alignment
 - Deviation meter to ascertain the optimum recording level of FM transmissions
 - Switchable IF bandwidth
 - Three stage VHF silent tuning
 - Fully variable output level control
 - Switchable de-emphasis for future Dolby FM transmissions
 - Connection for quadrasonic de-coder
- Full specifications are given in the centre data tables.

KA-8300 stereo amplifier

Having truly professional features, the KA-8300 is designed to form the nucleus of a top grade system.

- 2 x 80 W RMS at 8 ohms, both channels driven from 20 Hz–20 KHz. Distortion less than 0.1 %
- All stages direct coupled
- Darlington Power modules
- Input capacitorless pre-amplifier to prevent phase distortion and improve overload characteristics
- Presence control for the accentuation of frequencies around 800 Hz and 3 KHz



- Attenuator type volume control with 41 click positions
 - Output meters calibrated in watts
 - Low and high filters
 - Inputs for two tape recorders with facilities for A–B recording, B–A recording and type through circuit
 - Connections: 3 pairs of loudspeakers, 2 tape recorders, 2 record decks, headphones, 1 tuner, 1 auxiliary
- Full specifications are given in the centre data tables.

KT-7300 AM/FM stereo tuner

Second only to the superb KT-8300, the KT-7300 offers a level of performance consistent with Trio's reputation for excellent tuner design.

- FM Sensitivity 1.8 μ V (IHF), Selectivity 80 dB, Capture ratio 1 dB, Stereo separation 35 dB a 50 Hz, 1 KHz and 10 KHz
 - Special circuitry includes: FM input stage with Dual Gate MOS FET: Four-gang tuning capacitor: negative counter-coupled IF amplifier with two 6-element ceramic filters: Wideband VHF demodulator: PLL stereo decoder
 - Large tuning scale linear calibrated in 100 KHz divisions
 - Separate meters for signal strength and FM centre tune
 - VHF silent tuning
 - Automatic switching for stereo reception
 - Fully variable output level control
 - Switchable de-emphasis for future FM Dolby transmissions
 - Connection for quadrasonic adaptor
 - Multipath output for antenna alignment in conjunction with an oscilloscope
- Full specifications are given in the centre data tables.

KA-7300 stereo amplifier

Incorporating the Dual Power Supply system, the KA-7300 offers stable, uniform operation, together with an unbeatable cost/performance ratio.

- 2 x 65 W RMS at 8 ohms, both channels driven, from 20 Hz–20 KHz. Distortion less than 0.1 %
- Darlington Power modules
- Input capacitorless pre-amplifier to eliminate phase distortion and increase overload margins
- Negative feedback bass and treble controls with turnover switches to adjust frequency hinge-point
- Presence control for the accentuation of frequencies around 800 Hz and 3 KHz



- Attenuator type volume control with 32 positions calibrated in 2 dB increments
 - Attenuator to reduce audio output by –15 dB or –30 dB
 - Subsonic, low and high filters
 - Facilities for two tape recorders with A–B, B–A dubbing and tape through circuit
 - Double protection and delay start circuit
 - Connections: 3 pairs of loudspeakers, 2 tape recorders, 2 record decks, headphones, tuner, auxiliary
- Full specifications are given in the centre data tables.

KT-5300 AM/FM stereo tuner

Designed to match KA-5500, KA-3500 and KA-1500 amplifiers, the KT-5300 represents outstanding value for money.

- FM sensitivity 1.9 μ V (IHF), Selectivity 70 dB, Capture ratio 1.5 dB, Stereo separation 35 dB at 50 Hz, 1 KHz and 10 KHz
- Special circuitry includes: FM input stage with MOS FET's: Four gang tuning capacitor: IF amplifier with ceramic filters: Wide-band VHF demodulator: Fixed phase PLL stereo decoder
- Large tuning scale with excellent visibility
- Dual purpose signal strength/tuning meter
- VHF silent tuning
- Automatic stereo switching

Full specifications are given in the centre data tables.

KA-5500 stereo amplifier

The KA-5500 retains the styling concept of the larger KA-8300 and offers a host of professional facilities.

- 2 x 55 W RMS at 8 ohms, both channels driven, from 20 Hz–20 KHz. Distortion less than 0.1 %
- Direct coupled amplifier stages
- OCL complementary push-pull power output stage
- Input capacitorless pre-amplifier to prevent phase distortion and increase overload margins
- Negative feedback bass and treble controls
- Precision volume control with 32 steps



- Attenuator switch to reduce audio output by -20 dB
- Power output meters calibrated in watts
- Low filter at 12 dB/octave
- Facilities for two tape recorders with A-B, B-A dubbing and tape through circuit

- Circuit protection and delay start circuit
- Connections: 2 pairs of loudspeakers, 2 tape recorders, record deck, headphones, tuner, auxiliary

Full specifications are given in the centre data tables.

KT-5300 AM/FM stereo tuner

Designed to match KA-5500, KA-3500 and KA-1500 amplifiers, the KT-5300 represents outstanding value for money.

- FM sensitivity 1.9 μ V (IHF), Selectivity 70 dB, Capture ratio 1.5 dB, Stereo separation 35 dB at 50 Hz, 1 KHz and 10 KHz
- Special circuitry includes: FM input stage with MOS FET's: Four gang tuning capacitor: IF amplifier with ceramic filters: Wide-band VHF demodulator: Fixed phase PLL stereo decoder
- Large tuning scale with excellent visibility
- Dual purpose signal strength/tuning meter
- VHF silent tuning
- Automatic stereo switching

Full specifications are given in the centre data tables.

KA-3500 stereo amplifier

Rated at 40 watts per channel and having many fine control features, the KA-3500 must surely be one of the best value-for-money amplifiers on the market today.

- 2 x 40 W RMS at 8 ohms, both channels driven, from 20 Hz–20 KHz. Distortion less than 0.1 %
- Direct coupled amplifier stages
- OCL push-pull power output stage
- Input capacitorless pre-amplifier to prevent phase distortion and increase overload margins



- Negative feedback bass and treble controls
- High filter at 12 dB/octave
- Tone compensated volume control
- Facilities for two tape recorders with A-B, B-A dubbing and tape through circuit
- Circuit protection and delay start circuit

- Connections: 2 pairs of loudspeakers, 2 tape recorder, record deck, headphones, tuner, auxiliary

Full specifications are given in the centre data tables.

KA-1500 stereo amplifier

The KA-1500 is, without doubt, a breakthrough in terms of cost related to power output and facilities offered.

- 2 x 25 W RMS at 8 ohms, both channels driven, from 20 Hz–20 KHz. Distortion less than 0.1 %
- Direct coupled amplifier stages
- Darlington Power modules
- Input capacitorless pre-amplifier to prevent phase distortion and increase overload margins
- Negative feedback bass and treble controls
- Loudness control
- Facilities for two tape recorders
- Circuit protection and delay start circuit
- Connections:
1 pair of loudspeakers,
2 tape recorders, record deck,
headphones, tuner, auxiliary

Full specifications are given in the centre data tables.



The KA-1500 with its matching tuner model KT-5300

KT-1300 B AM/FM stereo tuner

Made to match the KA-1200 B amplifier, the KT-1300 B offers the same high standards of engineering and technical excellence.

- FM sensitivity 3 μ V (IHF), Selectivity 41 dB, Capture ratio 3 dB, Stereo separation 30 dB a 1 KHz
- Special circuitry includes: FET front end, IF stage integrated circuits, specially designed MPX filter
- Large tuning scale linear calibrated for FM
- Dual purpose signal strength/tuning meter
- Switchable MPX noise filter
- Heavy flywheel tuning

KA-1200 B stereo amplifier

A very popular model, designed with the smaller installation in mind, the KA-1200 B retains many of the features found on larger models.

- 2 x 13 W RMS at 8 ohms, both channels driven, 1 KHz. Distortion less than 0.8 %
- Switching for two sets of stereo loudspeakers
- Microphone input for added flexibility
- Tape monitoring facility
- Loudness control
- Connections: 2 pairs of loudspeakers, tape recorder, record deck, headphones, microphone, tuner, auxiliary



Full specifications are given in the centre data tables.



Loudspeakers.



In keeping with their aim to satisfy customers throughout the world, Trio engineers were quick to realize that a Japanese built speaker is not always acceptable to European ears. As such, the Trio LS range was designed and built in Europe to the requirements of British consultants.

LS-202A Loudspeakers

Developed from the very successful LS-202, the LS-202A now has a power handling capacity of 30 watts RMS.

A high efficiency dome tweeter is used which extends high frequency response to the limits of audibility.

The overall response of the LS-202A produces a level of performance which is amazing for loudspeakers of this size.

LS-203 Loudspeakers

Slightly larger than the LS-202As the LS-203s offer a wider frequency range coupled with low intermodulation distortion.

A heavy duty 195 mm bass driver ensures natural low frequency reproduction while the high quality dome tweeter maintains smooth high frequency characteristics up to 25 KHz.

Built to the same exacting standards as all other Trio equipment, the LS-203s out-perform many similar sized speakers.

LS-220 Loudspeakers

Having a power handling capacity of 40 watts RMS, the LS-220 loudspeakers are ideally suited to Trio models KA-3500 and KR-5600.

This two-way system incorporates a special 4-element low loss crossover network to maintain relative efficiency, even at low listening levels.

Acoustically, transparent foam is used for the grille assembly, this ensures a wide polar response as well as adding visual appeal.

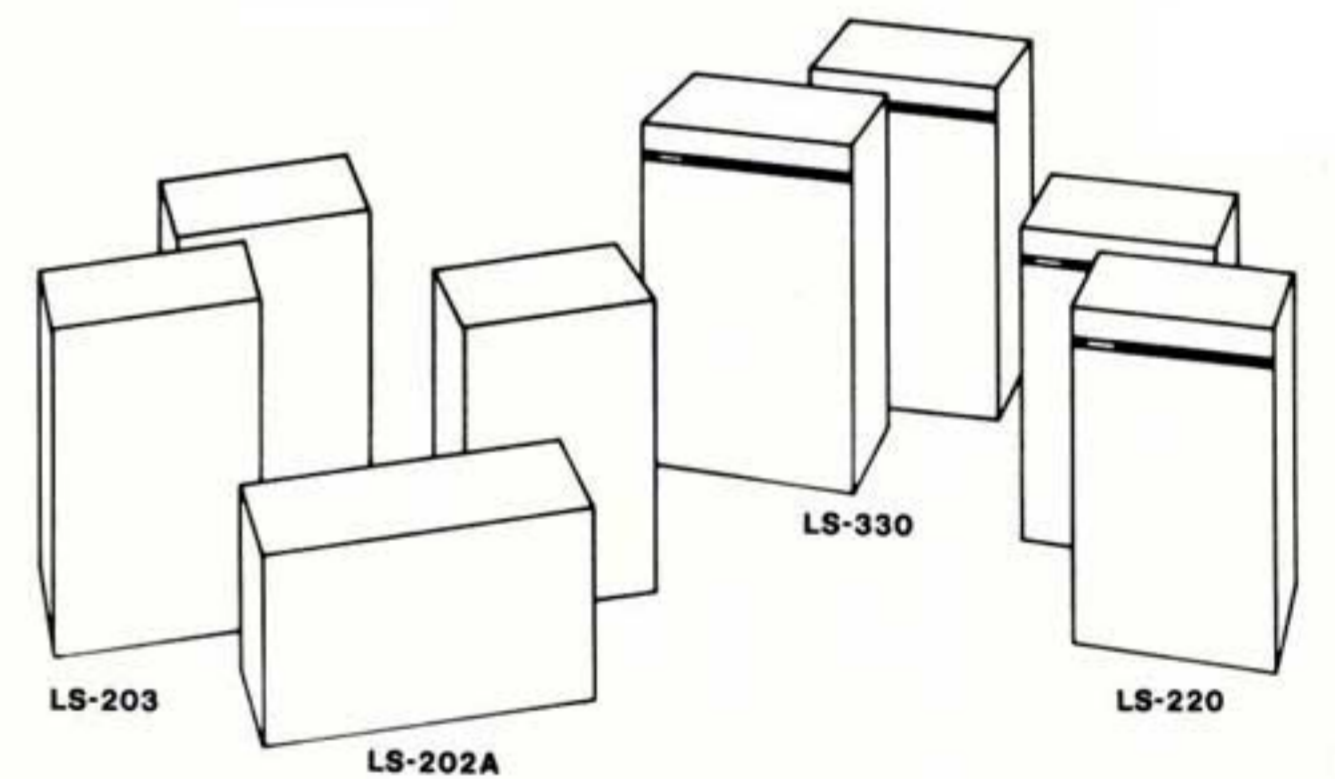
LS-330 Loudspeakers

High power handling capacity coupled with sensible cabinet dimensions makes the LS-330 ideal for installations where space is limited.

A 5-element low loss crossover is used in conjunction with three heavy duty drive units.

The midrange unit incorporates a dual cone system which produces lifelike mid frequency reproduction without any trace of adverse colouration. Like the LS-220, the LS-330 has an acoustic foam grille to counteract high frequency attenuation.

Full specifications are given in the centre data tables.



Receivers - the nucleus of a system.

Each Trio receiver has been designed to form the heart of a high grade stereo installation. Every model has reception facilities for AM and FM stereo broadcasts, inputs for record deck, tape recorder and an auxiliary source.

Your first installation need consist of no more than a receiver and a pair of loudspeakers. You can then build up on this to your particular requirements.

A range to satisfy all requirements

From the sensibly priced KR-2600 right up to the high powered KR-9600, the Trio range of receivers caters for all requirements.

As the range progresses each model offers a higher level of performance, and the facilities are extended.

Whatever your requirements, there's a Trio receiver to suit you.

Design considerations

All operating controls are clearly arranged and plainly marked. Dial movement is light and accurate, while switches and control knobs are designed for easy manipulation.

Extended side-panels and the recessed rear panels afford complete socket and cable protection, especially when the unit is placed flat against a wall or hi-fi housing.

Quality FM stereo reception.

There are many adverse conditions which may affect FM stereo reception. Powerful transmitters can sometimes overload FM input stages, weak, distant stations may cause hiss and so on. However, Trio receivers are equipped with some of the most up to date circuitry to overcome these problems. Excessively strong transmitters cannot "block" your reception. Weak FM stations become bright and clear. Stereophonic reception is undistorted, free from residual carrier interference and projects a well defined stereo image.

New technology assures perfect reception

All Trio receivers feature some of the most up to date technical advancements available today. The FM input stages of Models KR-2600 and KR-3600 are fitted with JT-FETs, while models KR-4600 to KR-9600 make use of highly advanced MOS-FET circuitry.

All models have newly-developed ceramic filters which provide excellent selectivity, even discriminating between stations transmitting on almost the same frequency.

Models KR-2600 and KR-3600 are fitted with a new type of phase coincidence demodulator to assure uniform stereo separation.

The larger models utilize the same new quadrature detectors and fixed phase PLL stereo decoders as the new Tuner range.

Future Dolby FM transmission are provided for on models KR-4600, KR-5600, KR-6600 and KR-9600, by the use of a switchable de-emphasis circuit.

Tuning accuracy

Trio receivers have large, clearly defined tuning scales marked in 200 KHz divisions. Heavy fly-wheel tuning is employed to ensure smooth, accurate tuning.

Models KR-2600 and KR-3600 feature a dual purpose meter system to register signal strength and centre tuning.

The larger models are equipped with separate meters for signal strength and centre tuning.

Amplifier section - guaranteed power from 20 Hz - 20 KHz.

Like the Trio range of integrated amplifiers, all receiver power output figures are for the frequency range 20 Hz-20 KHz, both channels driven into 8 ohms.

This method of measurement assures you of a worthwhile conservative rating rather than an inflated specification measured at the more common frequency of 1 KHz.

Trio amplifier stages are designed to handle the total audible frequency range smoothly, naturally and without stress.

Circuit technology

All amplifier sections have direct coupled stages and fully complementary output stages.

This principle does away with any unnecessary coupling components which are often the cause of the deterioration of sound quality. Obviously, the less the components to affect signal quality the better.

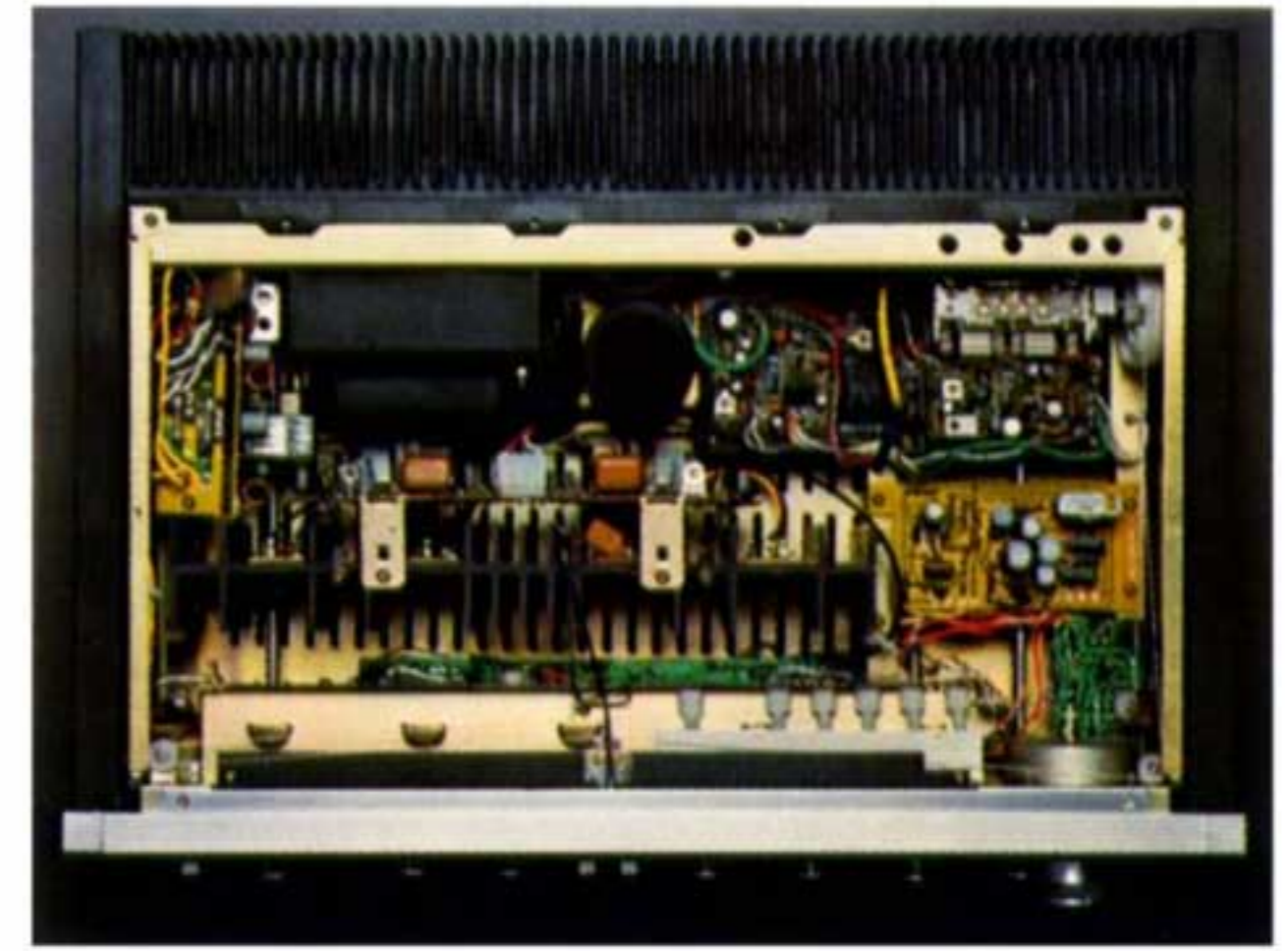
The pre-amplifier section for models KR-5600, KR-6600 and KR-9600 is actually fitted directly to the rear panel input sockets. This principle allows literally metres of cable to be eliminated, thus minimising crosstalk and improving signal-to-noise ratio.

In addition, these models incorporate a DLOA (Dual Line Operational Amplifier) which possesses low distortion characteristics and provides a highly stable output signal.

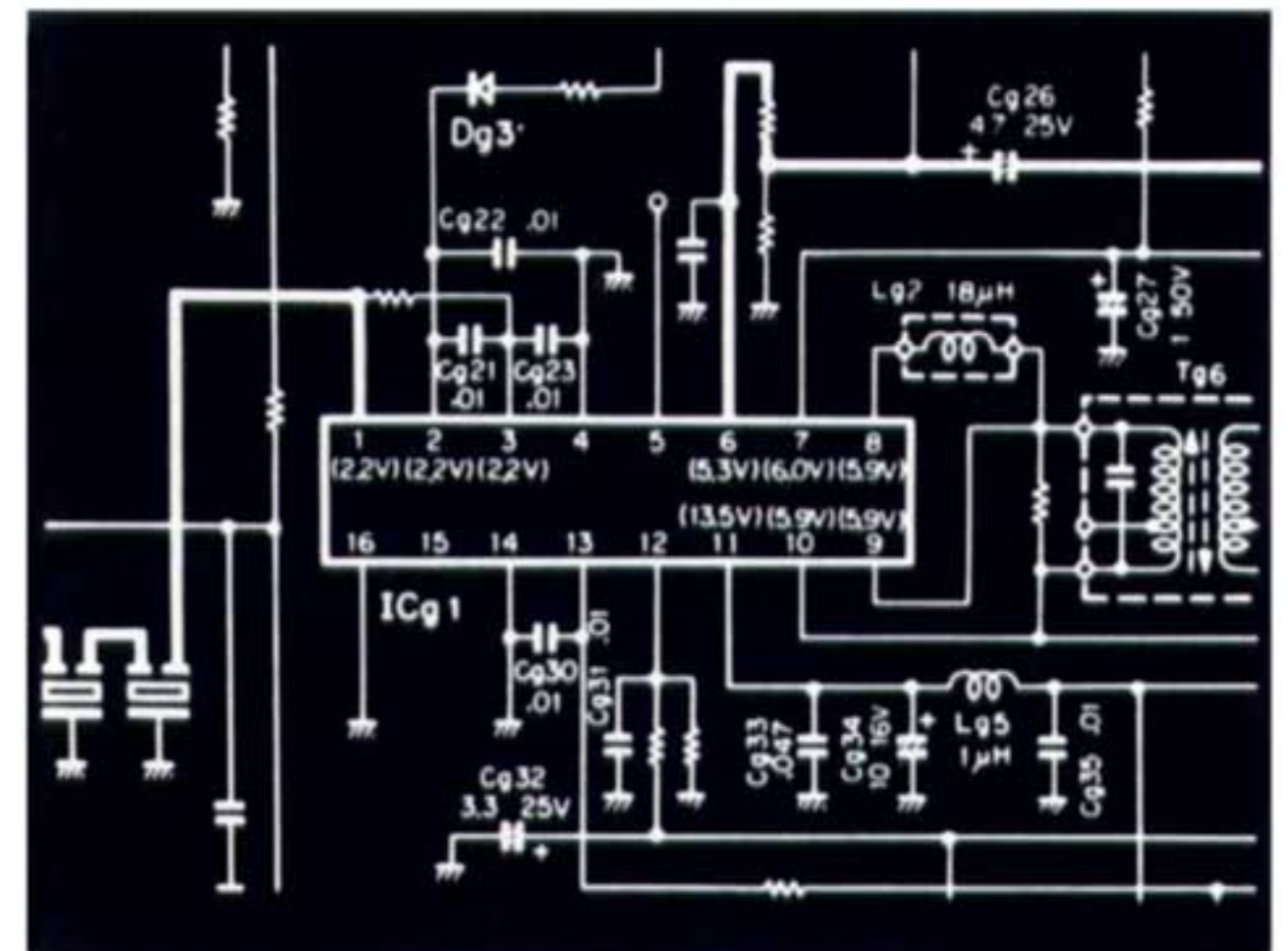
Models KR-2600 and KR-3600 are fitted with a SIL-IC (Single In Line Integrated Circuit) which is a low noise element and is less liable to interference than a conventional transistor circuit.



Recessed rear panel for complete cable protection



The inside view - precision throughout



IF amplifier with phase linear ceramic filters

Control facilities

All models have negative feedback bass and treble controls; this system allows smooth, uniform adjustment to conform to room acoustics and loudspeaker characteristics.

At low volume levels, the human ear becomes insensitive to both low and high frequency sound.

Trio receivers incorporate a loudness control which compensates for this deficiency. To ensure perfect equalisation at any volume level the loudness contour decreases in effect as the volume control is advanced.

Protection circuits

The costly output stages are protected by quick-acting circuits against short-circuit or overload damage.

Models KR-6600 and KR-9600 have double protection systems which also isolate the loudspeakers.

All models feature delay start circuitry to prevent the 'pops' and 'crackles' often heard when switching on conventional equipment.

KR-9600 stereo receiver

Amplifier section

- 2 x 160 W RMS at 8 ohms, both channels driven, from 20 Hz–20 KHz. Distortion less than 0.08 %
- Dual Power Supply system
- Direct coupled amplifier stages and fully complementary output stage
- DLOA (Dual Line Operational Amplifier) system with extremely low noise characteristics
- Bass, mid and treble negative feedback tone controls
- Attenuator control to reduce audio output by -20 dB
- High and low filters
- Power output meters calibrated in watts
- Two position loudness control
- Tone defeat switch
- Stereo, mono, reverse switch
- Input facilities for two tape recorders with A-B, B-A dubbing and tape through circuit
- Double circuit protection
- Sound inject circuit
- Connections:
3 pairs of loudspeakers,
2 tape recorders,
2 record decks,
auxiliary, headphones,
microphone, FM quadrasonic decoder, monitoring oscilloscope



Tuner section

- FM input sensitivity 1.9 μ V (IHF), Selectivity 83 dB, Capture ratio 1.3 dB, Stereo separation 35 dB from 50 Hz–10 KHz
- Special circuitry includes: FM input stage with MOS-FETs: 4-gang tuning capacitor: fixed phased PLL demodulator: IF amplifier with FETs and ceramic filters
- Linear calibrated FM scale
- Switchable interstation muting
- Combination signal strength/deviation meter
- Centre zero tuning indicator
- Switchable de-emphasis for future FM Dolby transmissions

Full specifications are given in the centre data tables.

KR-6600 stereo receiver

Amplifier section

- 2 x 60 W RMS at 8 ohms, both channels driven from 20 Hz–20 KHz. Distortion less than 0.3 %
- Direct coupled amplifier stages with fully complementary power output stage
- DLOA (Dual Line Operational Amplifier) system
- Negative feedback bass and treble controls
- 'Acoustic' controls provide +6 dB at 50 Hz and 800 Hz
- Loudness control
- High and low filters
- Input facilities for two tape recorders with A-B dubbing and tape through circuit
- Sound Inject circuit
- Double protection circuits and delay start circuitry
- Connections:
3 pairs of loudspeakers,
2 tape decks,
2 record decks,
headphones, microphone,
auxiliary



Tuner section

- FM input sensitivity 1.7 μ V (IHF), Selectivity 80 dB, Capture ratio 1.5 dB, Stereo separation 35 dB from 35 Hz–10 KHz
- Special circuitry includes: FM input stage with Dual Gate MOS FETs: Wideband VHF demodulator: Fixed phase PLL demodulator:

- IF amplifier with ceramic filters: IC medium wave section
- Large, clearly defined tuning with FM calibration in 200 KHz divisions
- Separate meters for signal strength and centre tuning

- Switchable de-emphasis for future FM Dolby transmissions
- Switchable interstation muting

Full specifications are given in the centre data tables.

KR-5600 stereo receiver

Amplifier section

- 2 x 40 W RMS at 8 ohms, both channels driven, from 20 Hz–20 KHz. Distortion less than 0.5%
- Direct coupled amplifier stages and fully complementary power output stage
- DLOA system
- Negative feedback base and treble controls
- Loudness control
- High filter
- Input facilities for two tape recorders with A–B dubbing and tape through circuit
- Protection circuit and delay start circuitry
- Connections:
2 pairs of loudspeakers,
2 tape decks,
2 record decks,
headphones, auxiliary

Tuner section

- FM input sensitivity 1.8 μ V (IHF), Selectivity 80 dB, Capture ratio 1.5 dB, Stereo separation 35 dB from 50 Hz–10 KHz
- Special circuitry includes: FM input stage with Dual Gate MOS FETs: Fixed phase PLL demodulator: IF amplifier with ceramic filters: IC medium wave section



- Large, clearly defined tuning scale with FM calibration in 200 KHz divisions
- Separate meters for signal strength and centre tuning
- Switchable interstation muting

- Switchable de-emphasis for future FM Dolby transmissions

Full specifications are given in the centre data tables.

KR-4600 stereo receiver

Amplifier section

- 2 x 30 W RMS at 8 ohms, both channels driven, from 20 Hz–20 KHz. Distortion less than 0.5%
- Direct coupled amplifier stages and fully complementary output power stage
- DLOA system
- Negative feedback bass and treble controls
- Loudness control
- High filter
- Input facilities for two tape recorders with A–B dubbing and tape through circuit
- Protection circuit and delay start circuitry
- Connections:
2 pairs of loudspeakers,
2 tape recorders,
2 record decks,
headphones, auxiliary

Tuner section

- FM input sensitivity 1.8 μ V (IHF), Selectivity 80 dB, Capture ratio 1.5 dB, Stereo separation 35 dB from 35 Hz–10 KHz
- Special circuitry includes: FM input stage with Dual Gate MOS FETs: Wideband VHF demodulator: Fixed phase PLL demodulator: IF amplifier with dual in-line IC: IF band ceramic filters: IC medium wave section



- Large, clearly defined tuning scale with linear FM calibration

- Separate meters for signal strength and centre tuning

Full specifications are given in the centre data tables.

KR-3600 stereo receiver

Amplifier section

- 2 x 22 W RMS at 8 ohms, both channels driven, from 20 Hz–20 KHz. Distortion less than 0.8%
- Direct coupled amplifier stages and OCL push-pull output stage
- Negative feedback bass and treble controls
- Loudness control
- High filter
- Tape monitoring facilities
- Protection circuit and delay start circuitry
- Connections:
2 pairs of loudspeakers,
tape deck, record deck,
auxiliary, headphones

Tuner section

- FM sensitivity 2.3 μ V (IHF), Selectivity 60 dB, Capture ratio 2 dB, Stereo separation 35 dB from 50 Hz–10 KHz
- Special circuitry includes: FM input stage with uni-junction FET: Phase coincidence demodulator: IF amplifier with dual in-line IC: Phase linear IF strip: IC medium wave section



- Large, clearly defined tuning scale with linear FM calibration
- Combined signal strength/centre zero tuning meter

- Automatic interstation muting for FM stereo reception

Full specifications are given in the centre data tables.

KR-2600 stereo receiver

The KR-2600 has been especially developed to offer the highest possible performance at a realistic, down-to-earth price. The power and facilities provided will, without doubt, establish the KR-2600 as the ultimate in value for money hi-fi.

Amplifier section

- 2 x 15 W RMS at 8 ohms, both channels driven, from 20 Hz–20 KHz. Distortion less than 0.8 %
- Direct coupled amplifier stages
- Negative feedback bass and treble controls
- Loudness control
- High filter
- Tape monitoring facilities
- Protection circuit and delay start circuitry
- Connections:
2 pairs of loudspeakers, tape recorder, record deck, auxiliary, headphones

Tuner section

- FM input sensitivity 2.5 μ V (IHF), Selectivity 50 dB, Capture ratio 2.5 dB, Stereo



separation 33 dB at 1 KHz

- Special circuitry includes: FM input stage with uni-junction FET: Phase coincidence demodulator: Low pass filter for carrier suppression: IF amplifier with dual in-line IC: Ceramic IF filters: IC medium wave section

- Large, clearly defined tuning scale with linear FM calibration
- Combined meter for signal strength and centre zero tuning

Full specifications are given in the centre data tables.



Turntables.

The Trio range of turntables now comprises two direct drive models and three belt drive systems. Our top model, the KD-500, is supplied less pick-up arm to enable you to fit a high quality tone arm of your own choice. Each model in the range has been specifically designed to cater for the requirements of a wide range of applications.

For example: the KD-1033 is particularly suited to models KA-1500 and KR-2600 in terms of performance and price.

And the KD-2044, with its brushed aluminium finish, makes a stylish partner for our silver fronted models.

Precision engineering – reliability in use

A long working life is assured by the use of particularly durable components, accurate manufacture and strict testing procedures.

For example: the precision motor bearings of models KD-500 and KD-5033 are permanently lubricated for a 20,000 hour operating period.

Heavy, counter-balanced turntables ensure long-term speed consistency. Precision tone-arms, without inherent resonance, and almost friction-free bearings are fitted with high precision bias compensation systems for high tracking accuracy and low record wear.

Viscose damped cueing mechanisms are employed to protect records when selecting tracks, and special suspension methods guard against acoustic feedback and transmitted vibrations.



KD-500 turntable

- Direct drive AC motor with electronic regulation
- Wow and flutter less than 0.05 %
- Speed adjustment for 33 and 45 r.p.m. Built in strobe lamp
- Heavy, resonance free plinth system formed from stone particles held in a stable polymer compound
- Four height-adjustable feet with built in impact dampers to prevent adverse effects caused by external vibrations
- Removable acrylic dust cover with friction hinges – adjustable to any height
- Supplied with two ready-drilled arm mounting plates with hardware to facilitate the fitting of high quality tone arms by SME, Stax, Micro-Seiki or similar

Full specifications are given in the centre data tables.

KD-5033 turntable

A precision record playing system featuring direct drive and high grade tone arm with automated manoeuvres.

- Direct drive 8-pole motor with servo control – 24 pole synchronous motor for arm automation
- Wow and flutter less than 0.05 %
- Speed adjustment for 33 and 45 r.p.m. Built in strobe lamp
- Resonance-free, precision tone arm, statically and laterally counterbalanced, stylus pressure infinitely adjustable for 0–4 grammes, tracking weight related bias compensation system
- Manual and automatic arm functions with automatic arm return at end of disc
- Pause and repeat switching
- Removable acrylic dust cover with friction hinges

Full specifications are given in the centre data tables.



KD-2044 turntable

Setting a new styling trend, the KD-2044 is attractively finished in brushed aluminium, to match the fascia styling of Trio amplifiers and receivers.

- Belt drive via a synchronous motor using a specially developed polyurethane belt
- Wow and flutter less than 0.06 %
- Resonance free statically and laterally balanced tone arm, stylus pressure infinitely adjustable from 0–4 grammes, tracking weight related bias compensation system
- Semi-automatic or manual arm operation with automatic switch-off at end of disc
- Removable acrylic dust cover with friction hinges

Full specifications are given in the centre data tables.



KD-2033 turntable

Similar in design to the KD-2044, the KD-2033 offers the same fine features but has an oil rubbed walnut finish.

- Belt drive via synchronous motor using a specially developed polyurethane belt
- Wow and flutter less than 0.06 %
- Resonance free statically and laterally balanced tone arm, stylus pressure infinitely adjustable from 0–4 grammes, tracking weight related bias compensation system
- Semi-automatic or manual arm operation with automatic switch-off at end of disc
- Removable acrylic dust cover with friction hinges

Full specifications are given in the centre data tables.



KD-1033 turntable

Without doubt, one of the best value turntables on the market today, supplied complete with cartridge, the KD-1033 offers exceptional performance at a realistic price.

- Belt drive, synchronous motor using a specially developed polyurethane belt
- Wow and flutter less than 0.08 %
- Resonance free tone-arm, statically counter balanced, stylus pressure adjustable from 0–3 grammes in 0.5 grammes graduations, pulley-weight bias compensation
- Magnetic cartridge with diamond stylus, frequency response 20 Hz–20 KHz
- Plinth suspension system using three types of spring support with varying tension and pressure values
- Special anti-acoustic feedback feet with built in rubber springs to absorb external vibration
- Removable acrylic dust cover

Full specifications are given in the centre data tables.



Cassette Decks.

Trio cassette decks are manufactured to the highest standards of quality, to ensure stable performance over a long working life.

The following important design considerations always apply:

- Sensible positioning of control functions for ease of operation
 - The use of large, clearly defined VU meters to ensure the accurate setting of recording levels
 - Purpose-designed tape transport controls for quick, smooth operation
- Trio cassette decks offer facilities that are purely functional, and unnecessary styling features are always avoided.

sary styling features are always avoided.

Each model incorporates the Dolby Noise Reduction system and caters for ferric, ferric-chrome and chrome dioxide tape.

The tape transport systems used are high precision devices, which have undergone rigorous test procedures, including continuous operation tests of 800 hours.

All in all, it's easy to see why Trio cassette decks have quickly gained an enviable reputation for quality, reliability and professional performance.



KX-920 Dolby cassette deck

Having truly professional features and a performance to match, the KX-920 is designed to satisfy even the most discriminating tape enthusiast.

- Wow and flutter less than 0.08 % (WRMS)
- Frequency range
30 Hz–14 KHz (Normal tape)
30 Hz–16 KHz (CrO₂ tape)
- Signal to noise ratio 62 dB (Dolby on-CrO₂ tape)
- DC servo motor driving an extra large 90 mm flywheel system
- New Super-Ferrite recording / playback head
- Full mixing facilities for microphone and line inputs
- Separate tape bias and equalization switches catering for normal, ferrochrome and chrome-dioxide tapes
- Pitch control to provide 3% speed adjustment
- Quick reaction peak recording level indicator
- Cue and Review system for precise programme selection
- Three digit tape counter
- Connections:
2 microphones, stereo line input/output, stereo DIN input/output, headphones

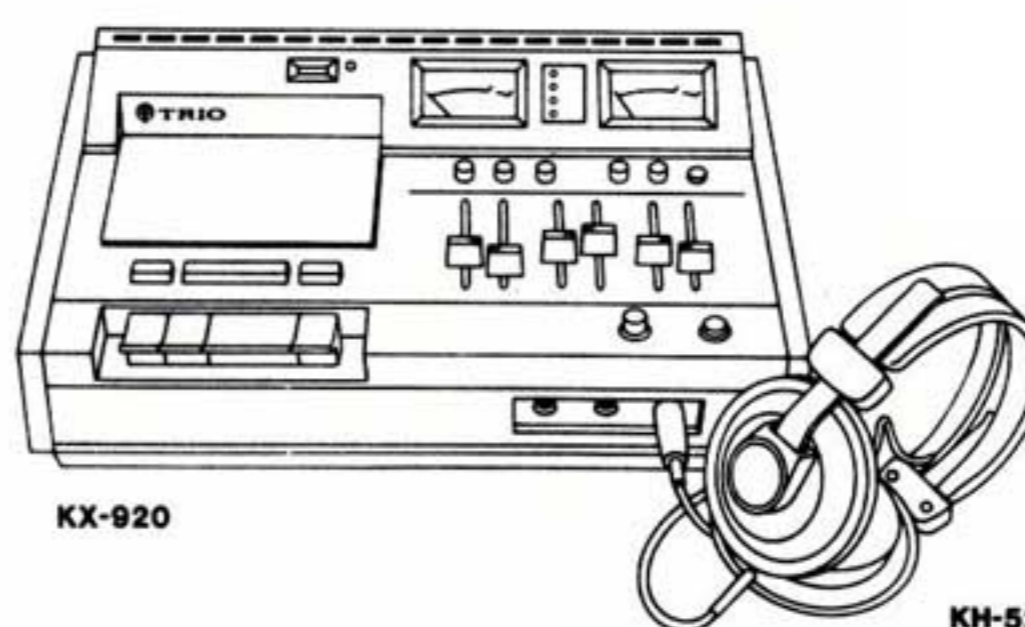
Full specifications are given in the centre data tables.

KH-52 headphones

The KH-52 gives a clean, wide rendering of all types of music. The spun-Mylar transducers ensure exceptionally low distortion – the mark of true high fidelity. The twin-bar headband is padded for extra comfort, as are the earpieces. After a few minutes of listening, you are unaware of the KH-52s: they're so comfortable.

The KH-52 represents a breakthrough in Trio headphone design and a step closer to perfect reproduction.

KH-52 specifications
 Transducers: Dynamic type employing 25 micron Mylar film elements
 Sensitivity: 106 dB for 1 mW input
 Maximum input: 100 mW
 Frequency response: 20 Hz–20 KHz
 Matching impedance: 4–16 ohms
 Connecting lead: 3 metre mesh cable
 Weight: 300 grammes





KX-720 Dolby cassette deck

Similar in design to the KX-920, the KX-720 retains many of its fine features at a realistic price level.

- Wow and flutter less than 0.08 % (WRMS)
- Signal to noise ratio 62 dB (Dolby on-CrO₂ tape)
- Frequency range
 - 30 Hz–14 KHz (normal tape)
 - 30 Hz–16 KHz (CrO₂ tape)
- DC servo motor driving an extra large 90 mm flywheel system
- New Super Ferrite recording/playback head
- Slider control memory markers
- Separate tape bias and equalization switches catering for normal, ferrochrome and chrome-dioxide tapes
- Quick reaction peak recording level indicator
- Cue and review system for precise programme section
- Three digit tape counter
- Connections:
 - 2 microphones, stereo line input/output, stereo DIN input/output, headphones

Full specifications are given in the centre data tables.



KX-620 Dolby cassette deck

A sensibly styled front loader especially suited to stacking or console mounting.

- Wow and flutter less than 0.09 %
- Frequency range:
 - 30 Hz–13 KHz (normal tape)
 - 30 Hz–16 KHz (CrO₂ tape)
- Signal to noise 61 dB (Dolby on-CrO₂ tape)
- Servo controlled motor
- Dual-concentric level controls
- Separate tape bias and equalization switches catering for normal, ferrochrome and chrome-dioxide tapes
- Illuminated cassette compartment with internal mirror for checking tape run
- Three digit tape counter
- Connections:
 - 2 microphones, stereo line input/output, stereo DIN input/output, headphones

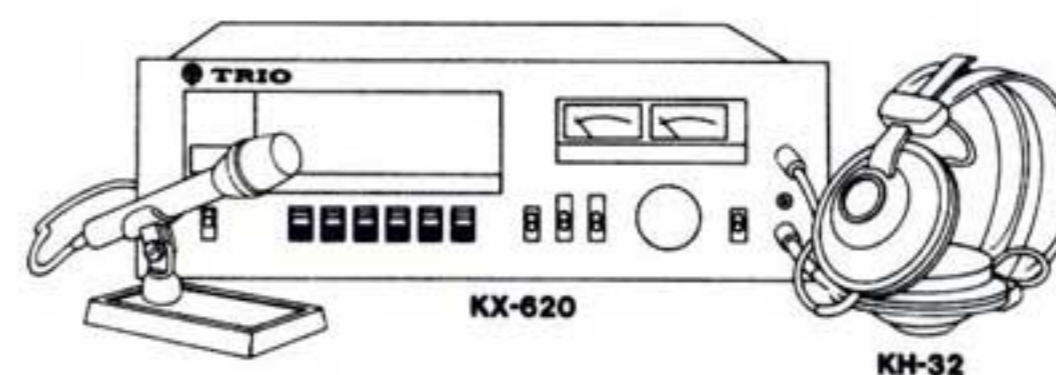
Full specifications are given in the centre data tables.

KH-32 headphones

The KH-32 is unique in that it combines comfort and quality without sacrificing either. It employs high quality full range transducers in vented enclosures to give rich, undistorted sound. The earpieces are extremely comfortable and the headband is of the twin-bar type to distribute weight evenly for long periods of listening.

The KH-32 is fully adjustable: click stops on the stirrups prevent the earpieces slipping – an annoying fault with most headphones.

Transducers: Dynamic type employing 25 micron Mylar film elements
 Sensitivity: 106 dB for 1 mW input
 Maximum input: 100 mW
 Frequency response: 20 Hz–20 KHz
 Matching impedance: 4–16 ohms
 Connecting lead: 2 metre vinyl cable
 Weight 290 grammes





SYSTEM A1

KA-1500 amplifier, KD-1033 turntable, LS-202A loudspeakers

A completely matched system offering superb performance at a special 'system price'.

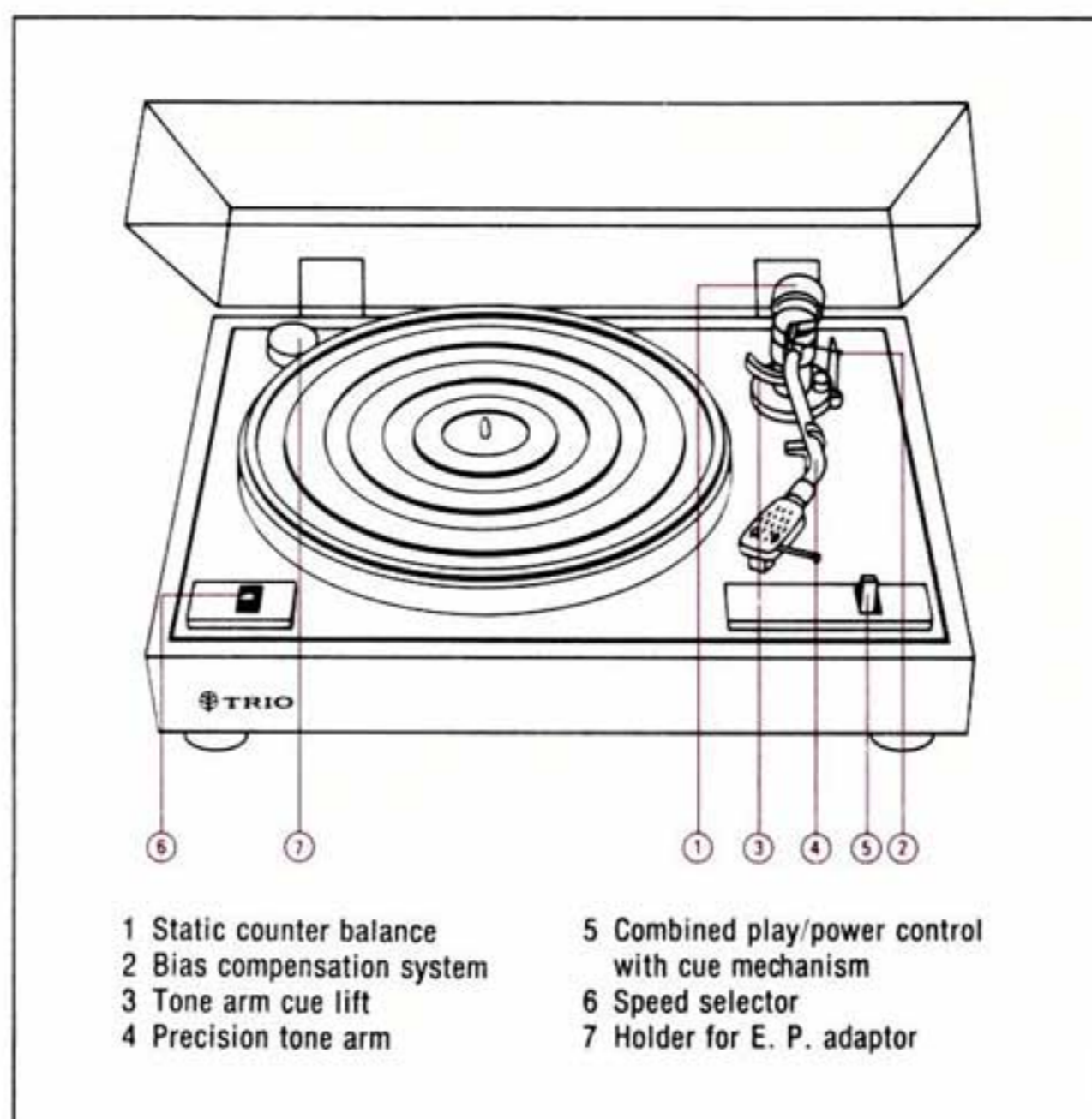
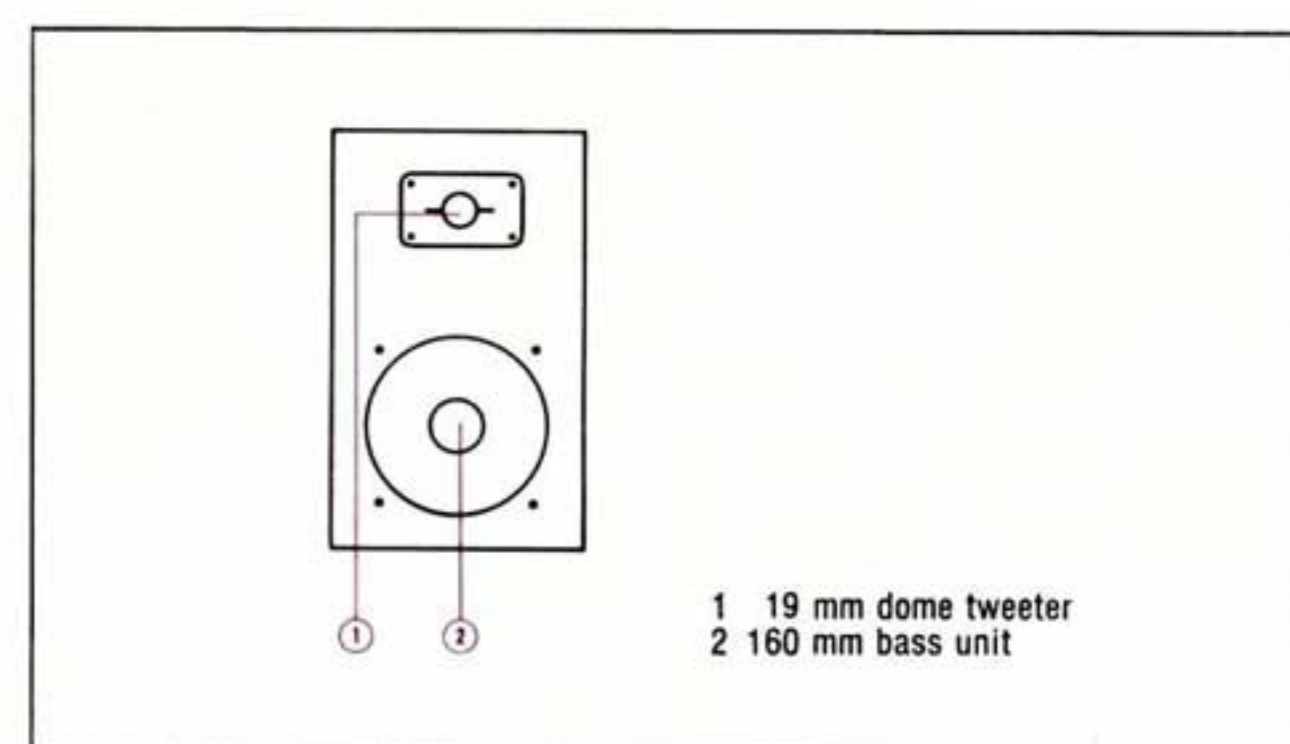
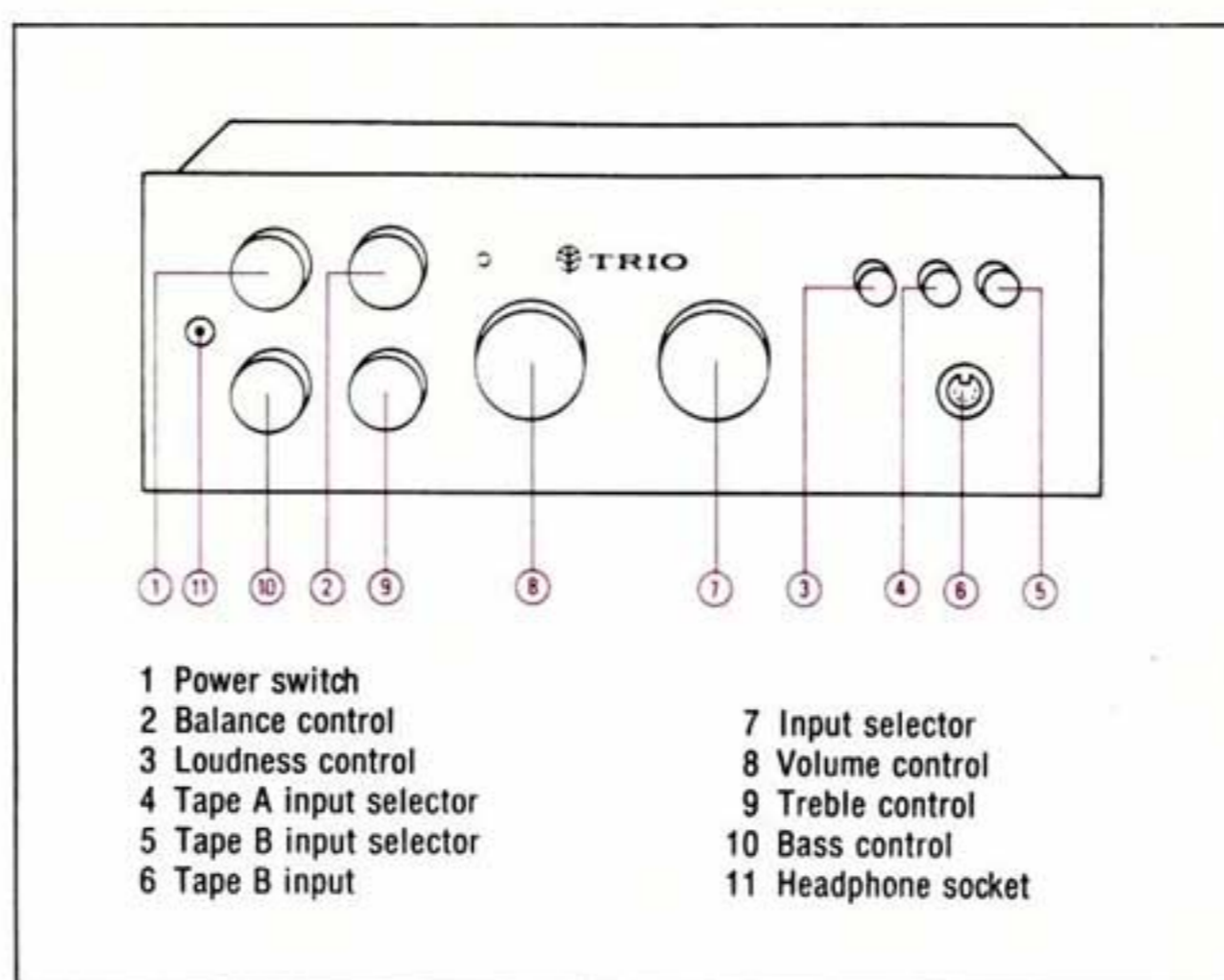
The KA-1500 amplifier provides 25 watts RMS per channel from 20 Hz–20 KHz, which will be easily handled by the LS-202As which have an adequate capacity of 30 watts RMS.

Perfect record reproduction is assured by the KD-1033 turntable, which comes complete with a diamond stylus cartridge having a frequency response of 20 Hz–20 KHz.

By purchasing a complete Trio system, you are assured of complete compatibility between units, and consistent quality in all aspects.

When you wish to add to your system, the KA-1500 has facilities for a stereo tuner, two stereo tape decks and an auxiliary programme source.

Specifications of each unit are given in the centre data tables.





SYSTEM A2

KA-3500 amplifier, KD-2044 turntable, LS-220 loudspeakers

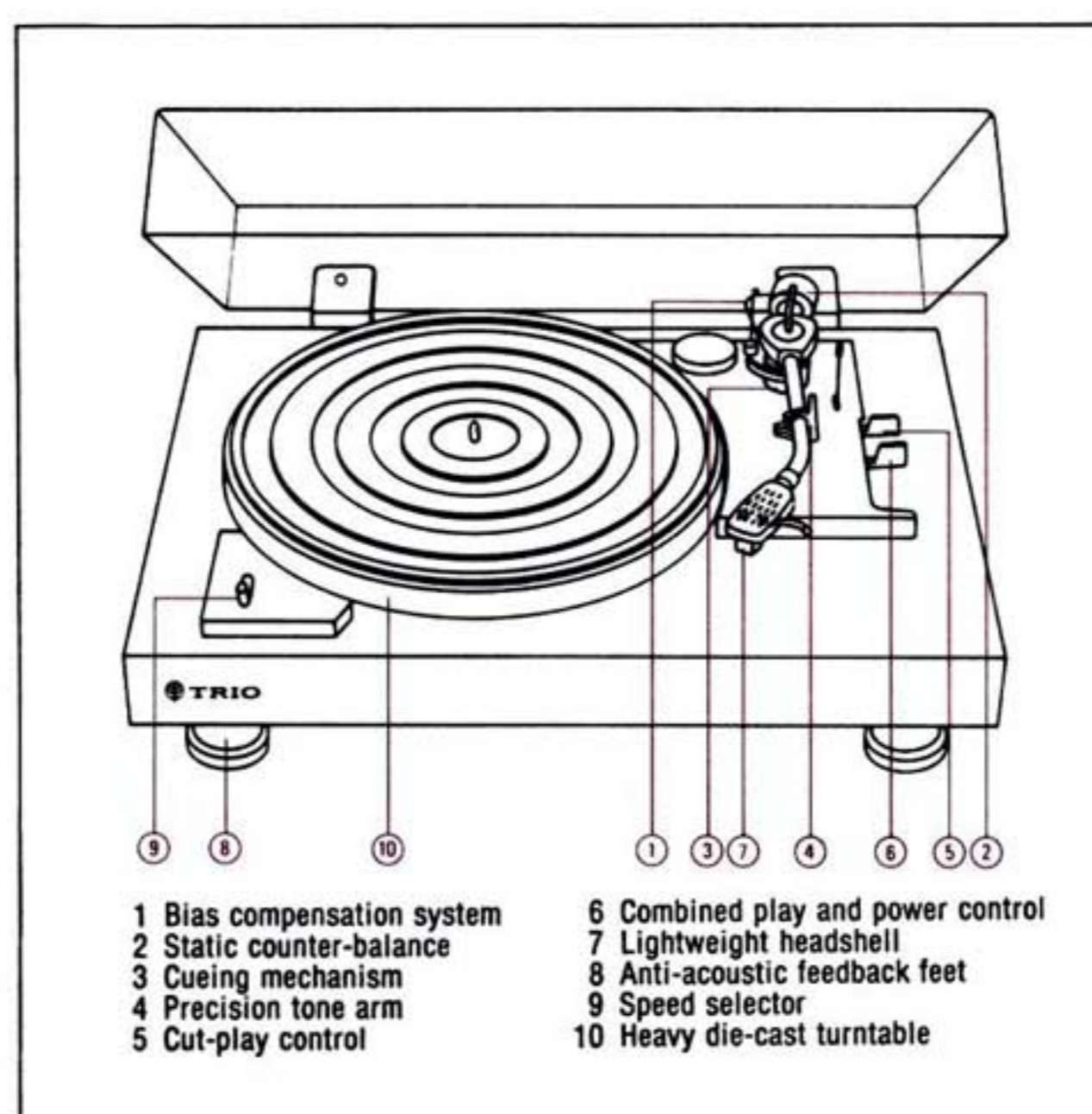
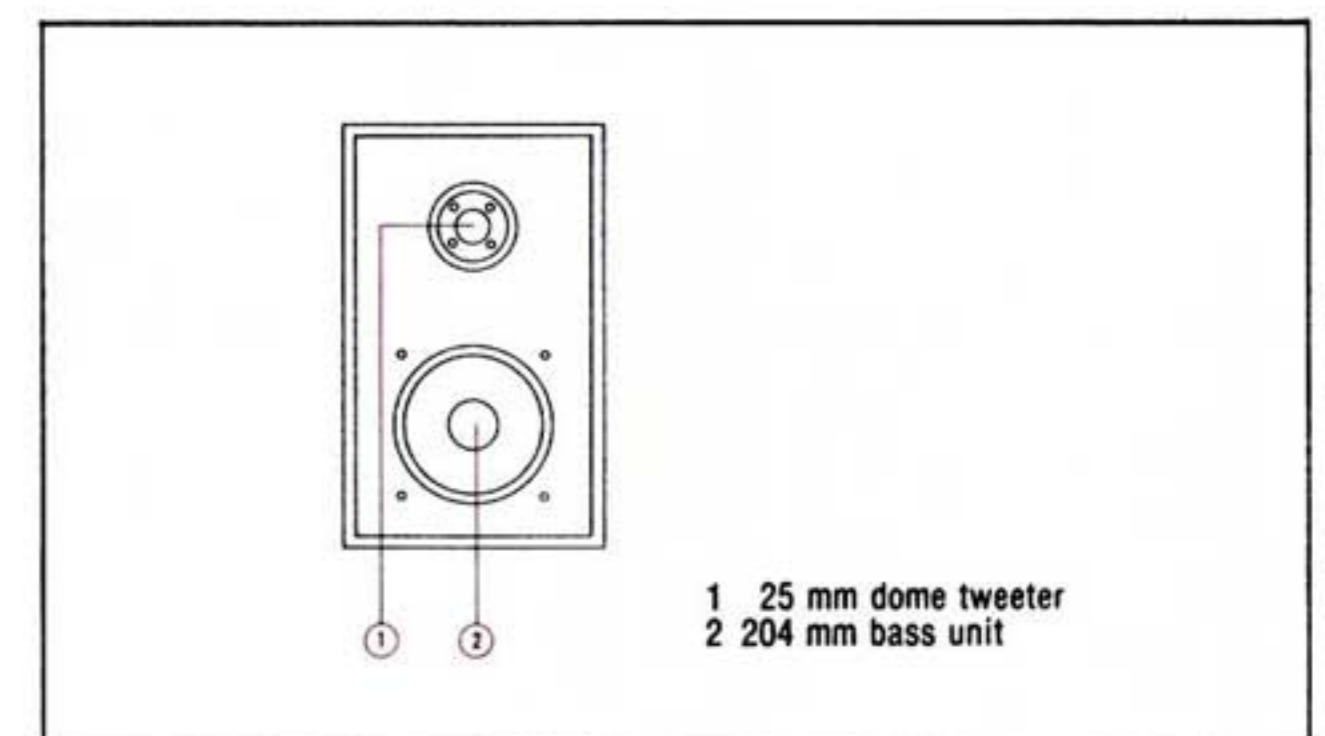
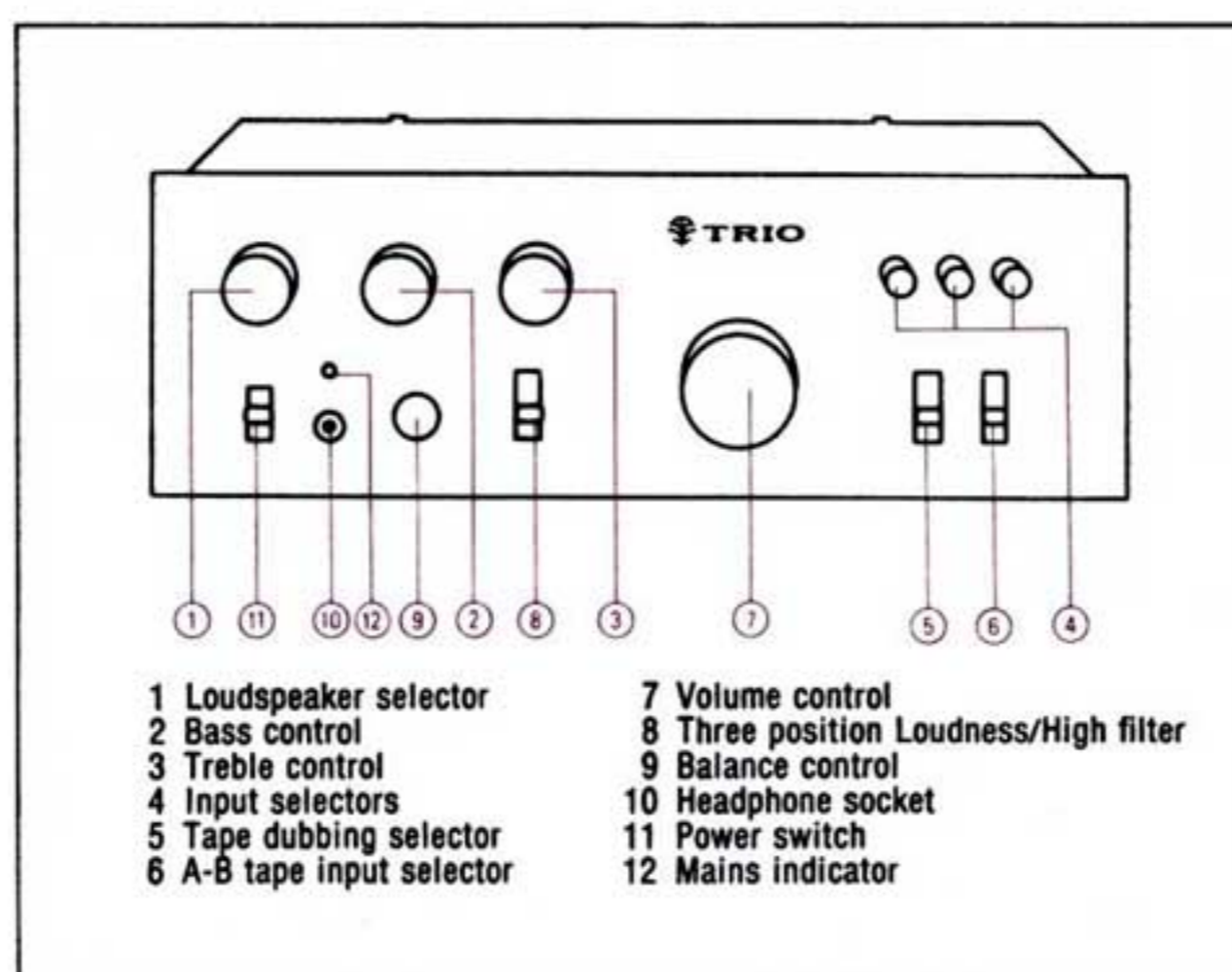
System A2 features the powerful KA-3500 amplifier. This unit features an output power of 40 watts RMS per channel from 20 Hz–20 KHz. Special facilities include switching for two sets of stereo loudspeakers and inputs for two tape recorders with comprehensive switching for dubbing and simultaneous recording.

The LS-220 loudspeakers are an ideal match in terms of power handling and frequency range. They provide a smooth, well controlled response which is maintained at high volume levels.

To complete the system, the KD-2044 turntable has been chosen to complement the performance and styling of the KA-3500.

Finished in brushed aluminium the KD-2044 features semi-automatic or manual arm operation, belt drive mechanism with synchronous motor and lightweight headshell which accepts most popular makes of cartridge.

Specifications of each unit are given in the centre data tables.





SYSTEM A3

KR-2600 receiver, KD-1033 turntable, LS-202A loudspeakers

The heart of the system, the KR-2600 provides facilities for AM and FM stereo reception, has inputs for record deck, tape recorder and auxiliary source.

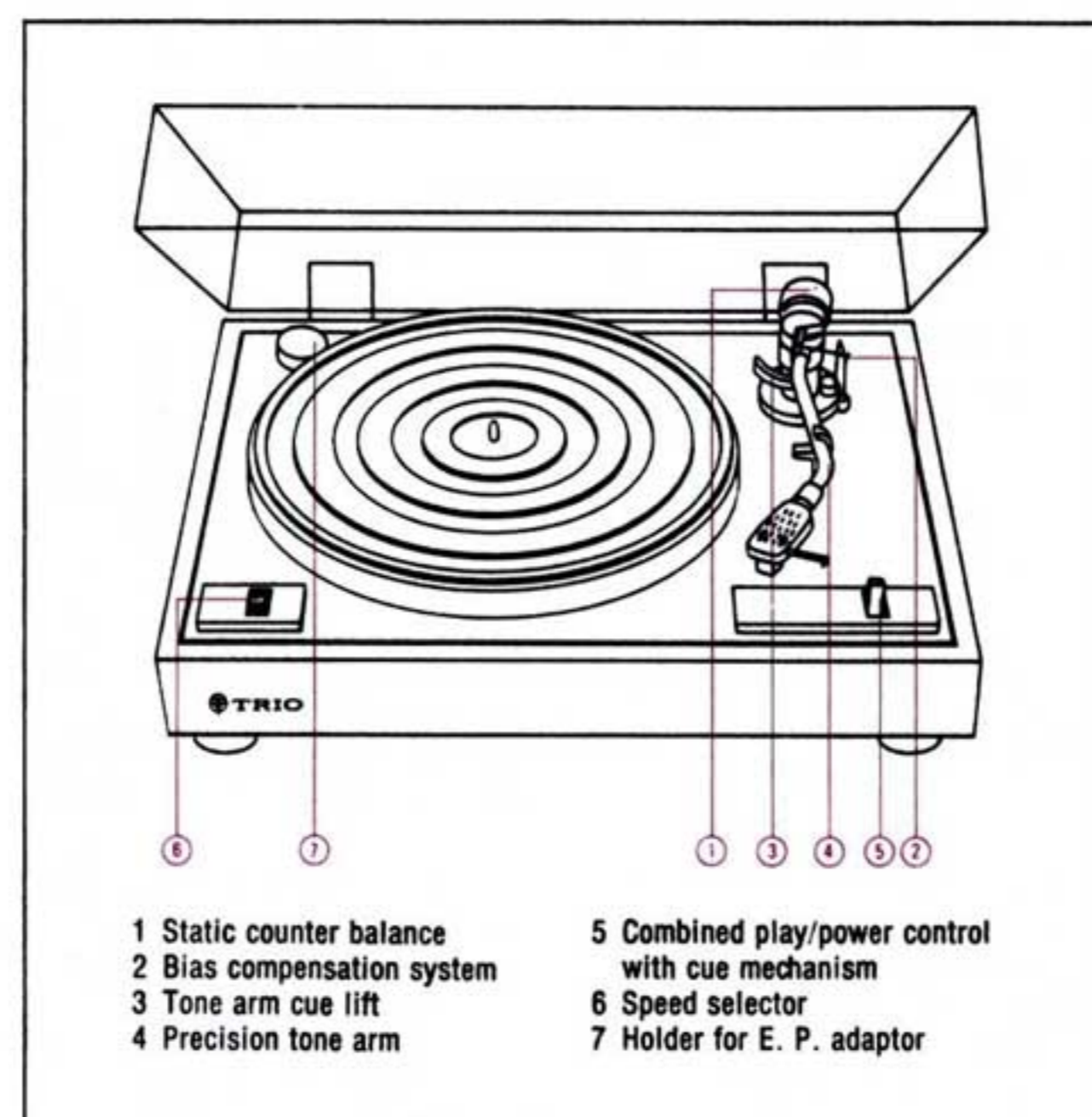
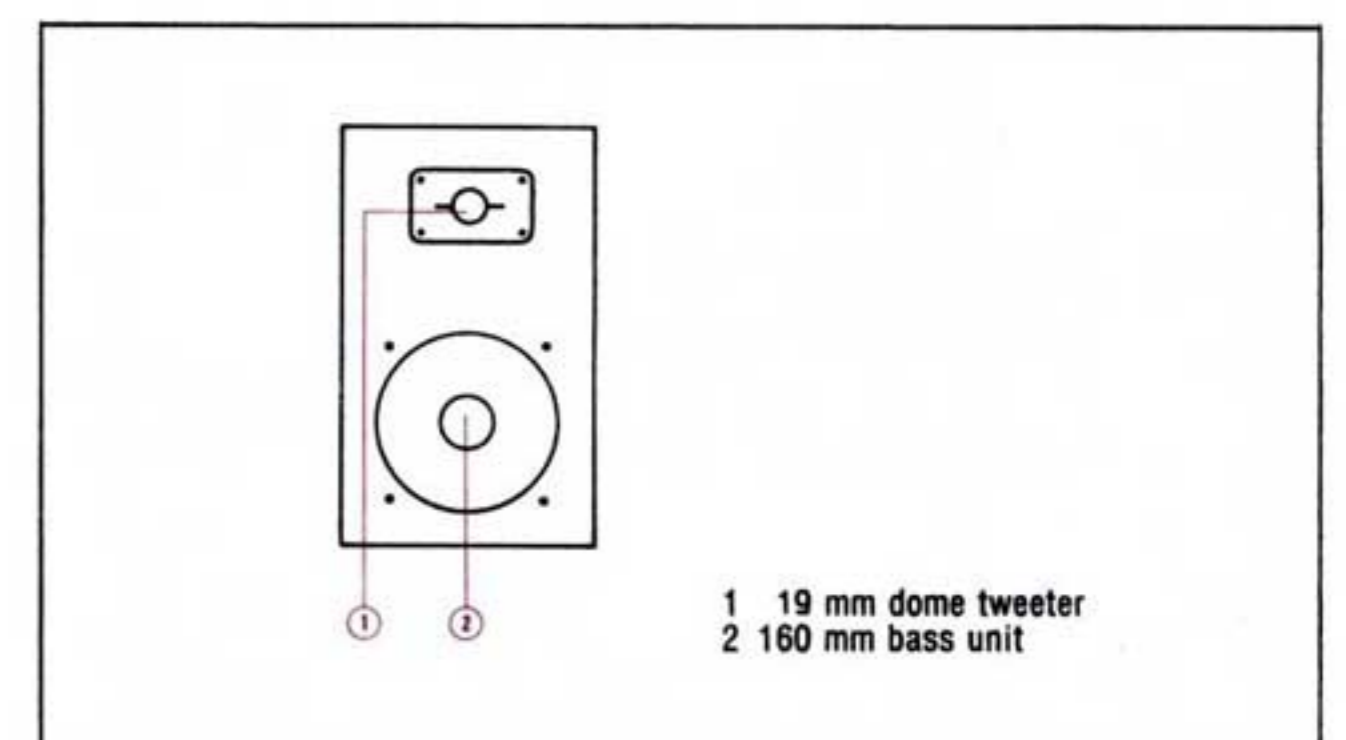
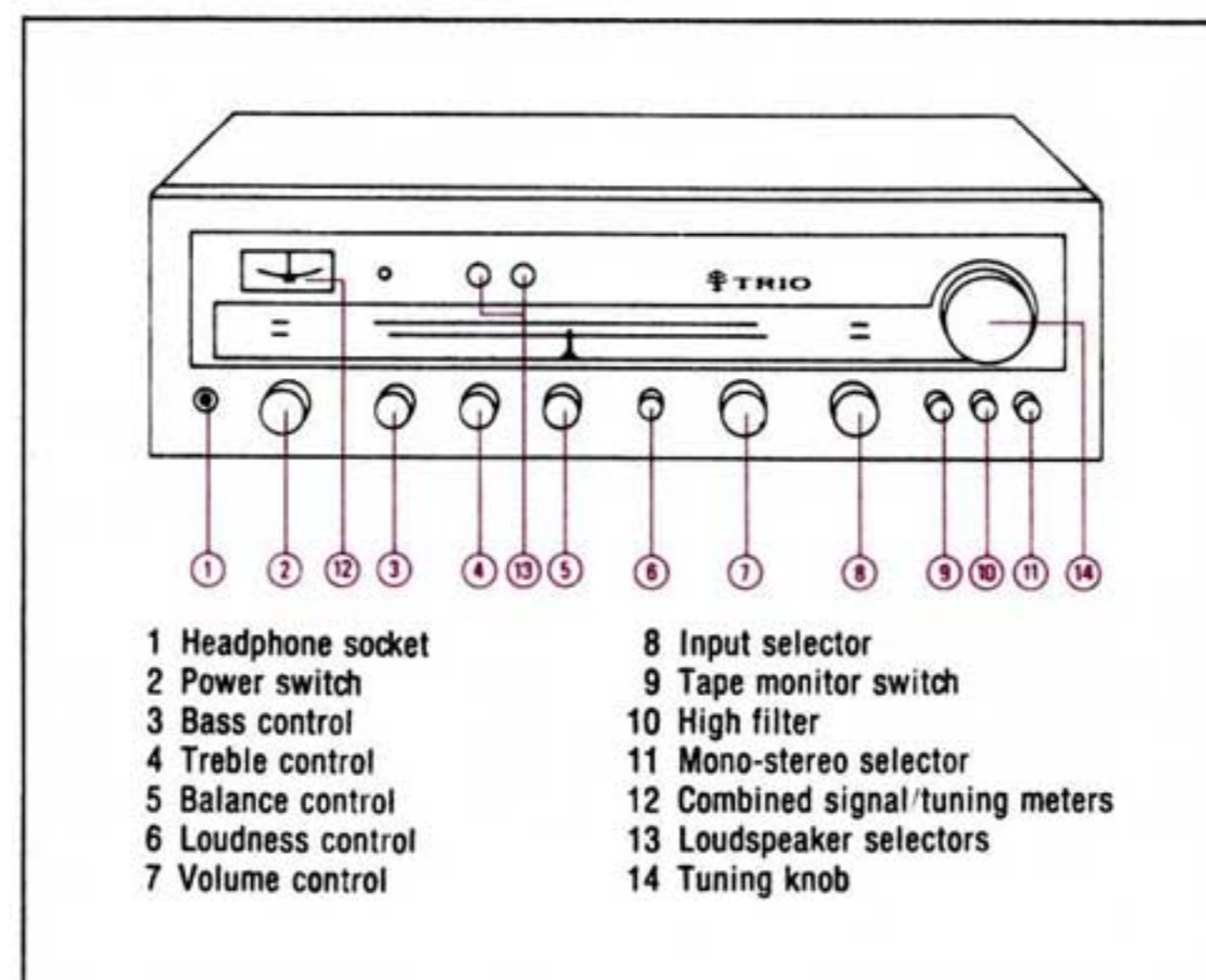
Provision is made for an extra pair of loudspeakers in another room when you require them. The performance and features of the KR-2600 outstrip any other receivers in its category and price range.

The KD-1033 is ideally matched to the KR-2600, providing excellent record reproduction, it is supplied complete with magnetic cartridge.

Simplicity is the keynote of the KD-1033 – no gimmicks or frills, yet very attractively designed. The LS-202A loudspeakers are beautifully finished, yet like all Trio equipment, they are free of all the unnecessary and often expensive gadgets found on similar equipment.

System A3 represents outstanding value for money, and will continue to provide many hours of listening pleasure for years to come.

Specifications of each unit are given in the centre data tables.





SYSTEM A4

KR-3600 receiver, KD-2033 turntable, LS-203 loudspeakers

Centred around the professionally styled KR-3600, System A4 represents a well-balanced combination of Trio high fidelity units, all perfectly matched in performance and styling.

The KR-3600 receiver has facilities for AM and FM stereo reception, inputs for record deck, tape recorder, auxiliary source and switching for two pairs of loudspeakers.

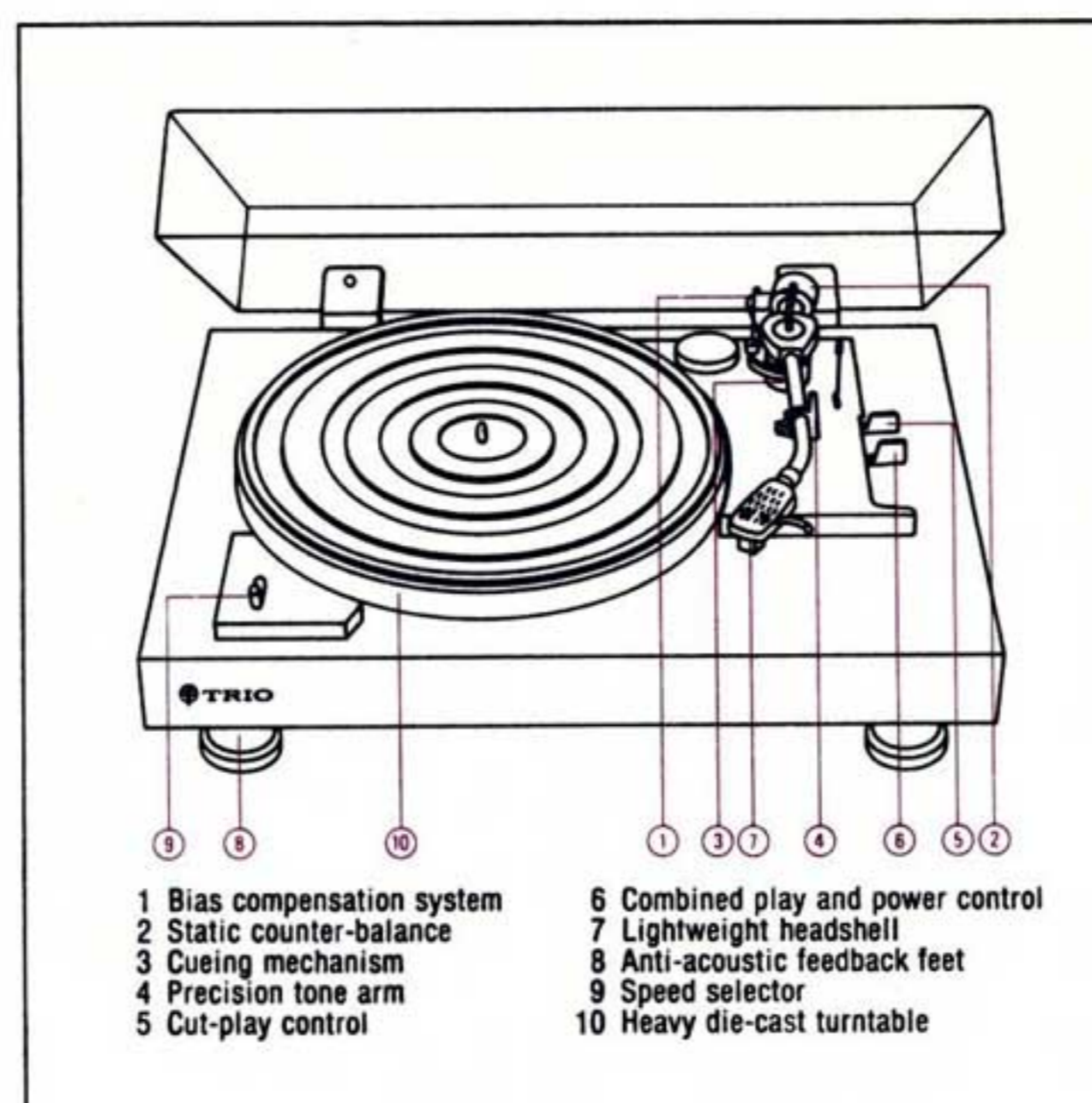
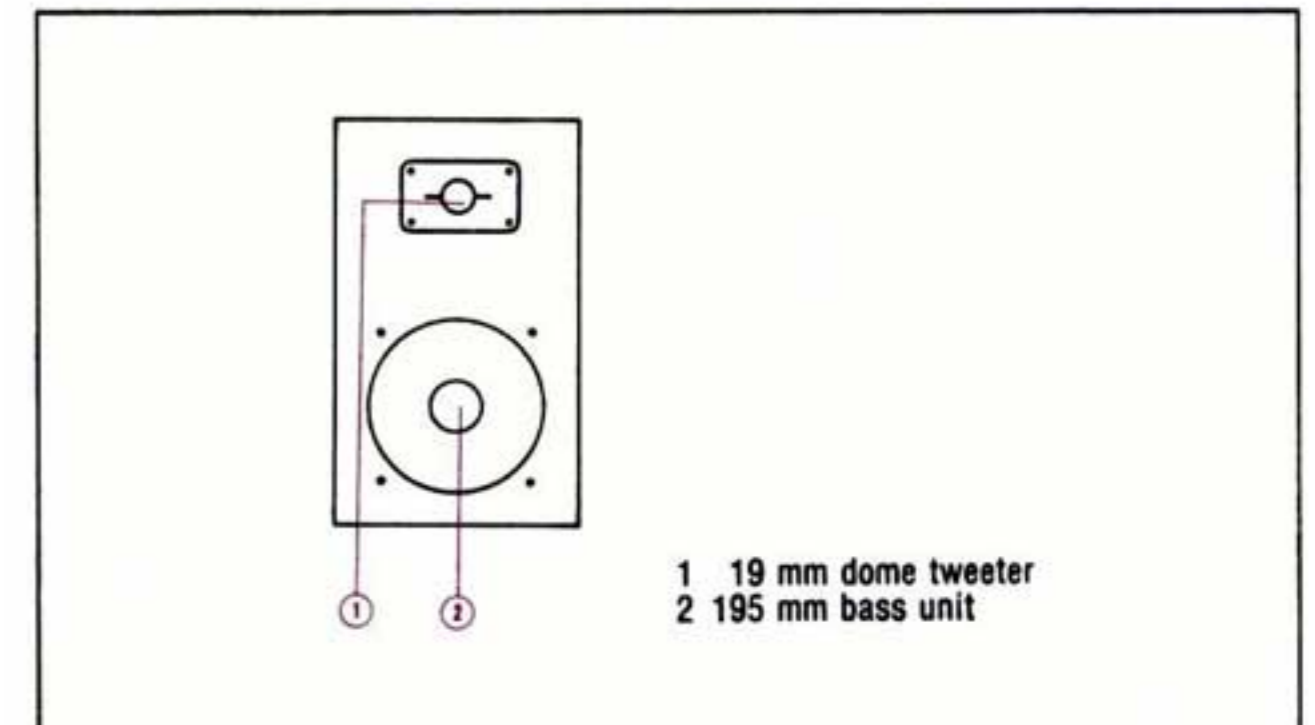
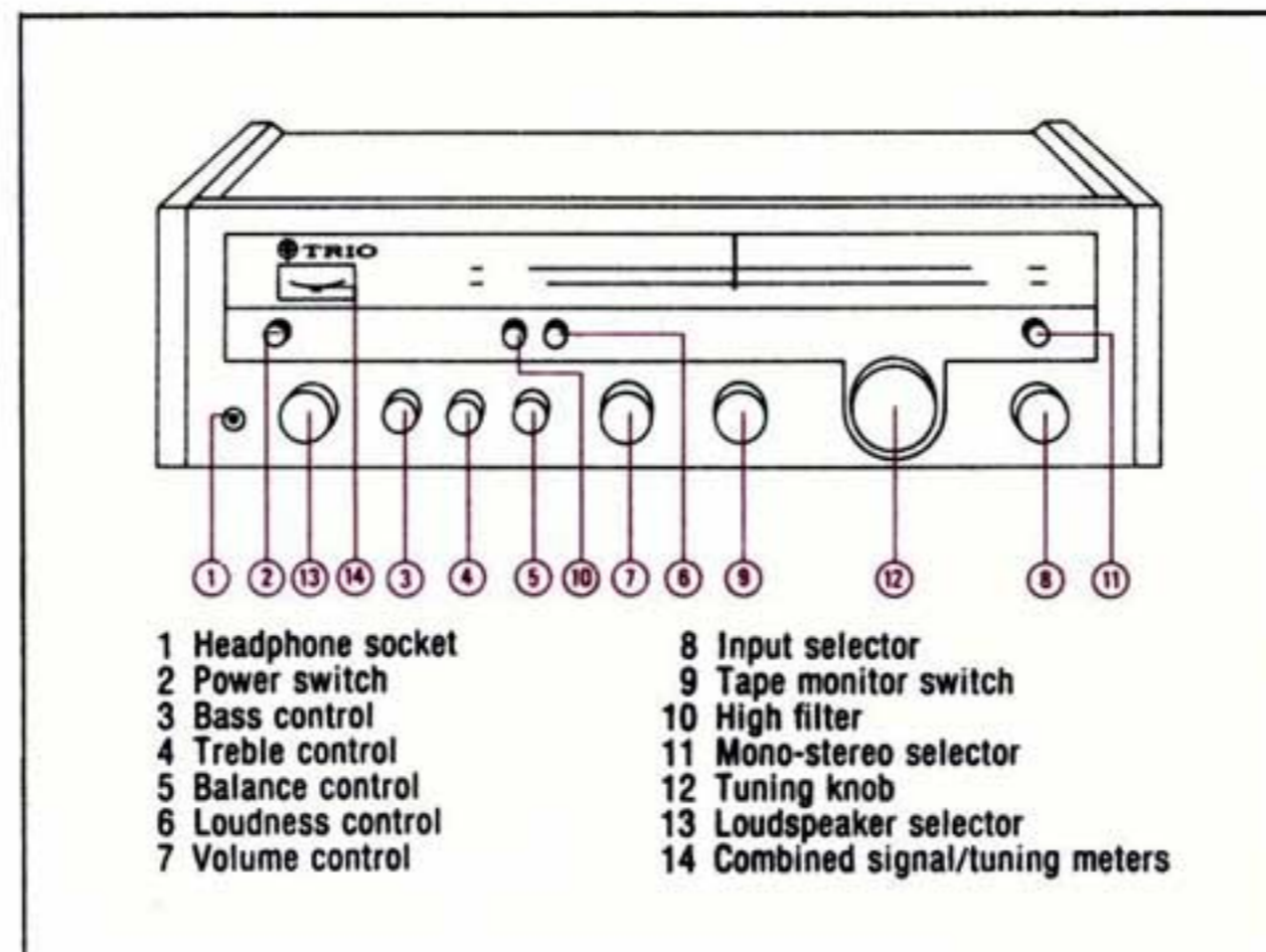
A very useful feature is the recessed rear panel; this means that the unit can be placed flat against a wall without damage to connecting cables.

The KD-2033 is an excellent turntable: it features automated arm manoeuvres and its elegant design is a perfect match for the KR-3600 and LS-203 loudspeakers, as is its technical performance.

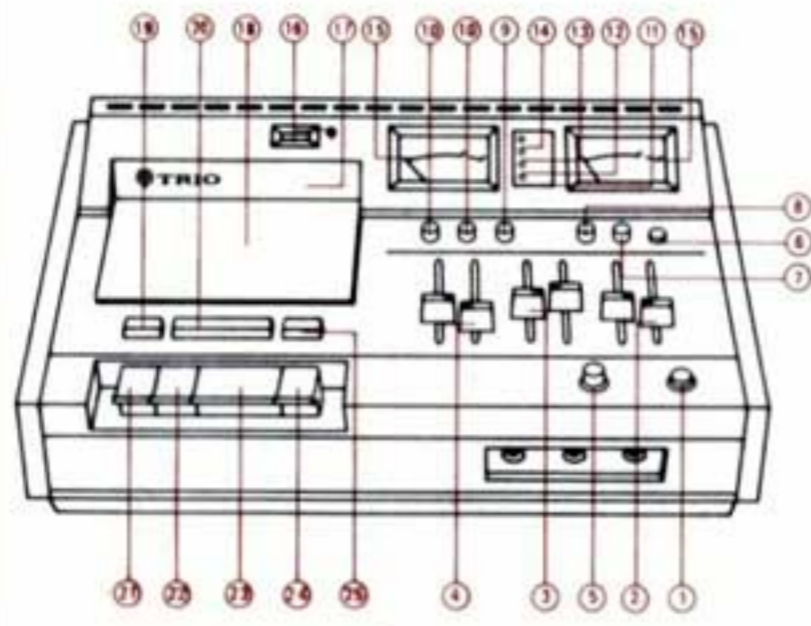
The LS-203s each use two high quality driven units fed from an efficient crossover network. Exceptionally clean response, high power handling capacity and beautifully finished cabinets lift the LS-203s from run-of-the-mill speakers.

System A4 is ample for the largest of rooms and will give years of listening pleasure.

Specifications of each unit are given in the centre data tables.



KX-920



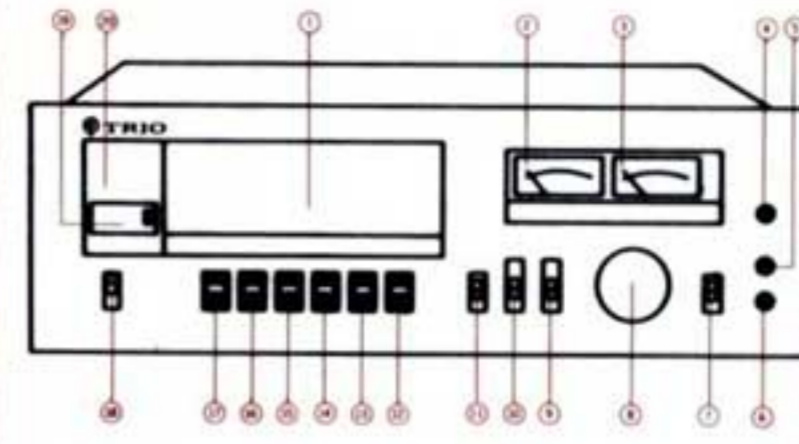
- 1 Power switch
- 2 Output level controls
- 3 Line input level controls
- 4 Microphone level input controls
- 5 Pitch control
- 6 Dolby function switch
- 7 Dolby FM switch
- 8 Tape memory switch
- 9 VU/Peak meter selector
- 10 Tape equalization selector
- 10 Tape bias selector
- 11 Chrome tape indicator
- 12 Dolby function indicator
- 13 Record mode indicator
- 14 Peak level indicator
- 15 Left and right channel level meters
- 16 Three digit tape counter
- 17 Tape run indicator
- 18 Cassette compartment
- 19 Cassette eject control
- 20 Tape stop control
- 21 Record control
- 22 Rewind control
- 23 Tape play control
- 24 Fast forward control
- 25 Pause control

KX-720



- 1 Power switch
- 2 Output level controls
- 3 Recording level controls with memory markers
- 4 Recording level controls with memory markers
- 5 Dolby function switch
- 6 Dolby FM switch
- 7 Tape memory switch
- 8 Mic/line input selector
- 9 Tape bias selector
- 9 Tape stop control
- 10 Chrome tape indicator
- 11 Dolby function indicator
- 12 Record mode indicator
- 13 Peak level indicator
- 14 Left and right channel level meters
- 15 Three digit tape counter
- 16 Tape run indicator
- 17 Cassette compartment
- 18 Tape stop control
- 19 Cassette eject control
- 20 Pause control
- 21 Record control
- 22 Rewind control
- 23 Tape play control
- 24 Fast forward control

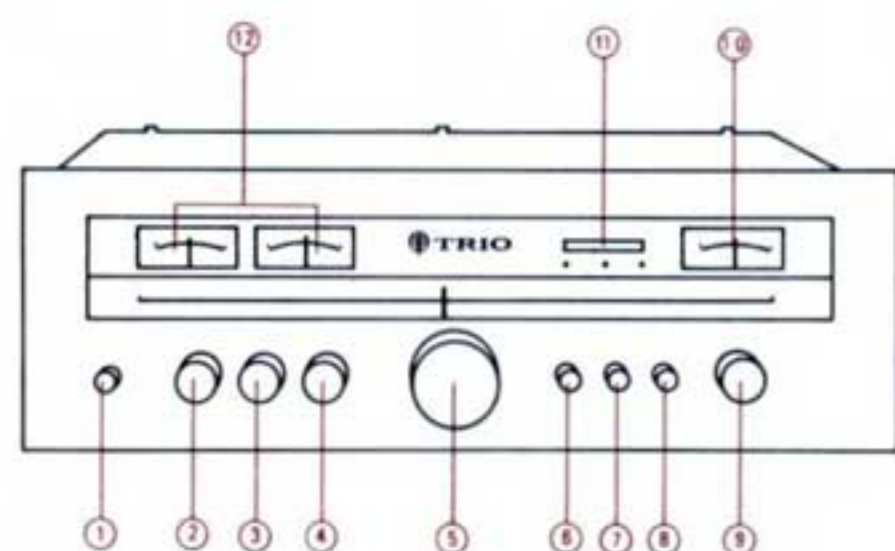
KX-620



- 1 Illuminated cassette compartment with mirror
- 2 Left channel level meter
- 3 Right channel level meter
- 4 Headphone socket
- 5 Left channel microphone input
- 6 Right channel microphone input
- 7 Dolby switch
- 8 Dual ganged level controls
- 9 Input selector
- 10 Tape equalization selector
- 11 Tape bias selector
- 12 Stop/Cassette eject control
- 13 Pause control
- 14 Fast forward control
- 15 Play control
- 16 Rewind control
- 17 Record control
- 18 Power switch
- 19 Three digit tape counter
- 20 Record mode indicator lamp

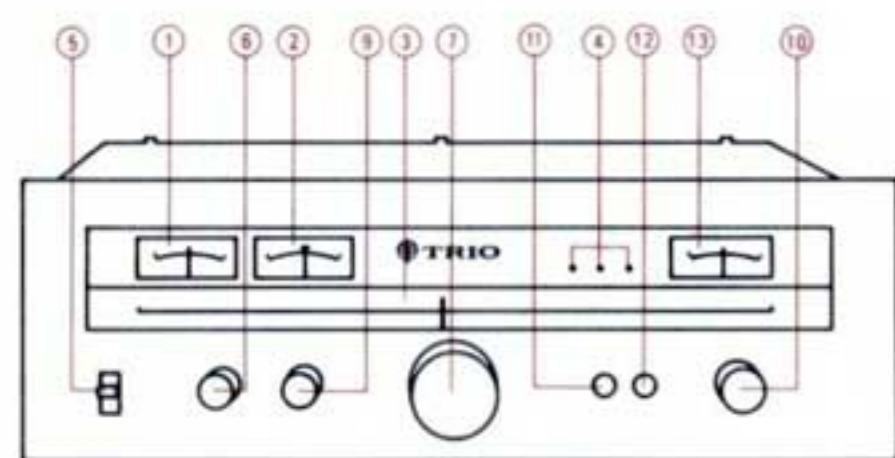
Tape system	4 track 2 channel stereo	4 track 2 channel stereo	4 track 2 channel stereo
Tape speed	1 7/8 i.p.s.	1 7/8 i.p.s.	1 7/8 i.p.s.
Usable tape	C 30, C 60, C 90	C 30, C 60, C 90	C 30, C 60, C 90
Heads	Super ferrite	Super ferrite	Hard permalloy
Motor	DC servo	DC servo	DC servo
Wow and flutter	0.08 %	0.08 %	0.09 %
Frequency response	30 Hz-16 KHz (Cr02)	30 Hz-16 KHz (Cr02)	30 Hz-16 KHz (Cr02)
S/N ratio (Dolby in)	62 dB (Cr02)	62 dB (Cr02)	61 dB (Cr02)
Recording system	AC bias 85 KHz	AC bias 85 KHz	AC bias 85 KHz
Erasing system	AC bias	AC bias	AC bias
Inputs Line	77.5 mV/340 Kohms	77.5 mV/340 Kohms	77.5 mV/340 Kohms
DIN	0.45 mV/1.3 Kohms	0.45 mV/1.3 Kohms	0.45 mV/1.3 Kohms
Mic	0.24 mV/10 Kohms	0.24 mV/10 Kohms	0.24 mV/10 Kohms
Output	490 mV/100 Kohms	490 mV/100 Kohms	775 mV/100 Kohms
Fast forward/rewind time (C 60)	80 sec	80 sec	80 sec
Power consumption	23 watts	23 watts	11 watts
Power requirements	240 V AC	240 V AC	240 V AC
Dimensions	404 x 124 x 252 mm	404 x 124 x 252 mm	430 x 149 x 300 mm
Weight	5.3 kg	5.3 kg	7 kg

600 T



- 1 Power switch
- 2 Output level control
- 3 FM muting control
- 4 IF bandwidth selector
- 5 Tuning knob
- 6 Scale dimmer control
- 7 De-emphasis changeover switch
- 8 Deviation-Multipath selector
- 9 Function selector
- 10 Deviation-Multipath meter
- 11 IF bandwidth
- 12 Signal strength meter
- 12 Centre zero tuning meter

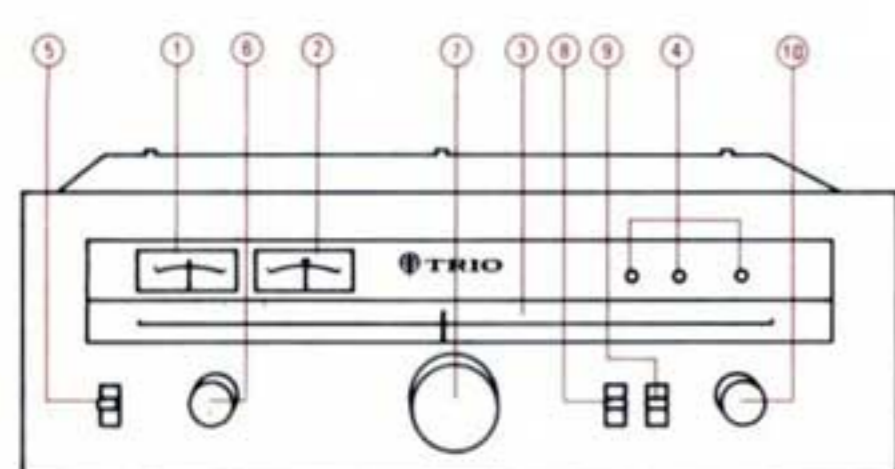
KT-8300



- 1 Signal strength meter

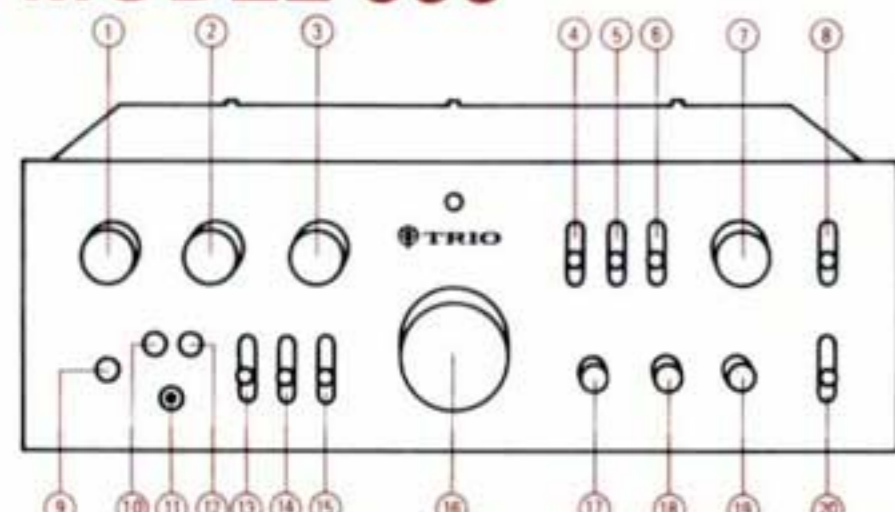
- 2 Centre zero tuning meter
- 3 Scale pointer
- 4 LED function indicators
- 5 Power switch
- 6 Output level control
- 7 Tuning knob
- 9 FM muting control
- 10 Function selector
- 11 IF bandwidth selector
- 12 Deviation-Multipath function selector
- 13 Deviation-Multipath meter

KT-7300



- 1 Signal strength meter
- 2 Centre zero tuning meter
- 3 Scale pointer
- 4 LED function indicators
- 5 Power switch
- 6 Output level control
- 7 Tuning knob
- 8 MPX noise filter
- 9 FM muting control
- 10 Function selector

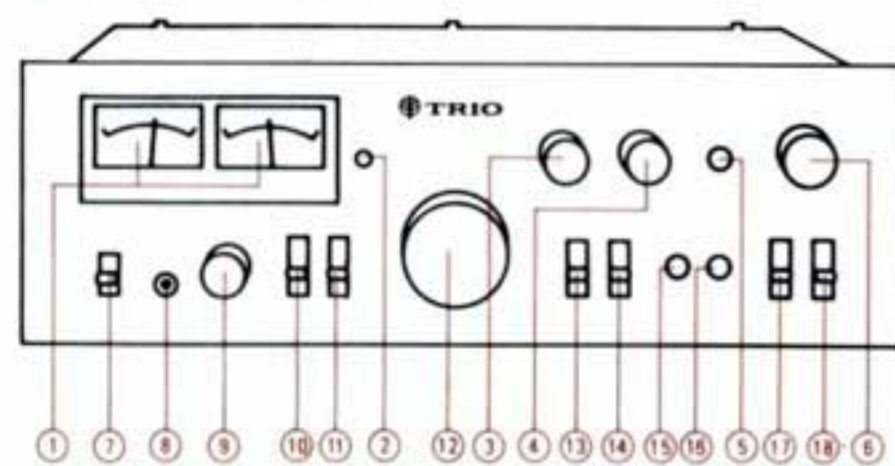
MODEL 600



- 1 Loudspeaker selector
- 2 Bass control
- 3 Treble control
- 4 Attenuator switch

- 5 Tape dubbing selector
- 6 A-B input selector
- 7 Input selector
- 8 Tuner-Aux changeover switch
- 9 Power switch
- 10 Low filter
- 11 Headphone socket
- 12 High filter
- 13 Bass control turnover selector
- 14 Treble control turnover selector
- 15 Presence control
- 16 Volume control
- 17 Loudness control
- 18 Stereo, mono, reverse switch
- 19 Phono 2 input level control
- 20 Phono 1 impedance selector

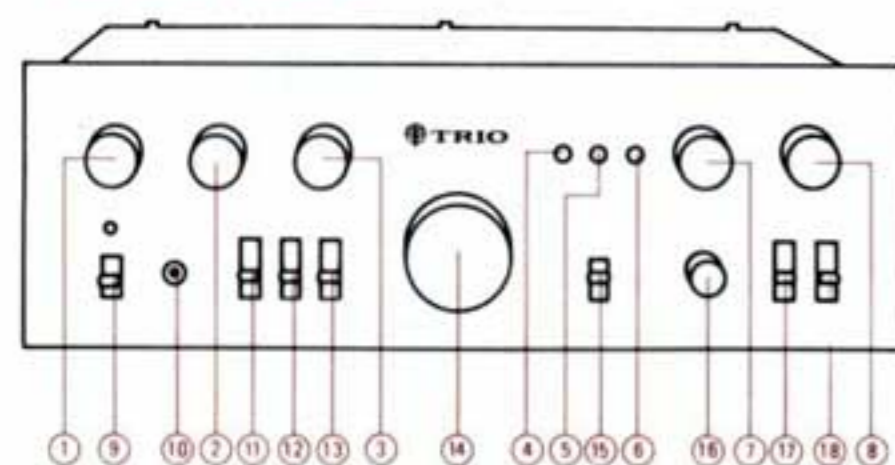
KA-8300



- 1 Illuminated output meters
- 2 Output meter range selector
- 3 Bass control
- 4 Treble control

- 5 Stereo/mono switch
- 6 Input selector
- 7 Power switch
- 8 Headphone socket
- 9 Loudspeaker selector
- 10 Loudness control
- 11 Presence control
- 12 Volume control
- 13 Bass control turnover selector
- 14 Treble control turnover selector
- 15 Low filter
- 16 High filter
- 17 Tape dubbing selector
- 18 A-B tape input selector

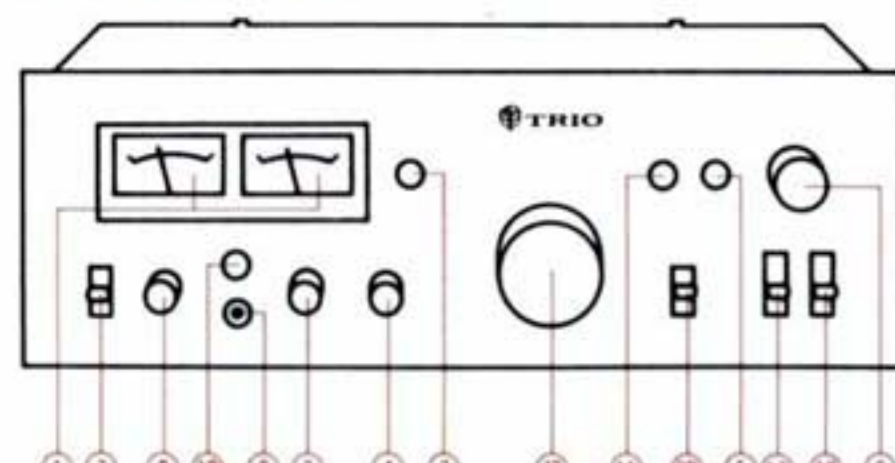
KA-7300



- 1 Loudspeaker selector
- 2 Bass control
- 3 Treble control
- 4 Subsonic-filter

- 5 Low filter
- 6 High filter
- 7 Stereo, mono, reverse switch
- 8 Input selector
- 9 Power switch
- 10 Headphone socket
- 11 Bass control turnover switch
- 12 Treble control turnover switch
- 13 Presence control
- 14 Volume control
- 15 Attenuator switch
- 16 Loudness control
- 17 Tape dubbing selector
- 18 A-B input selector

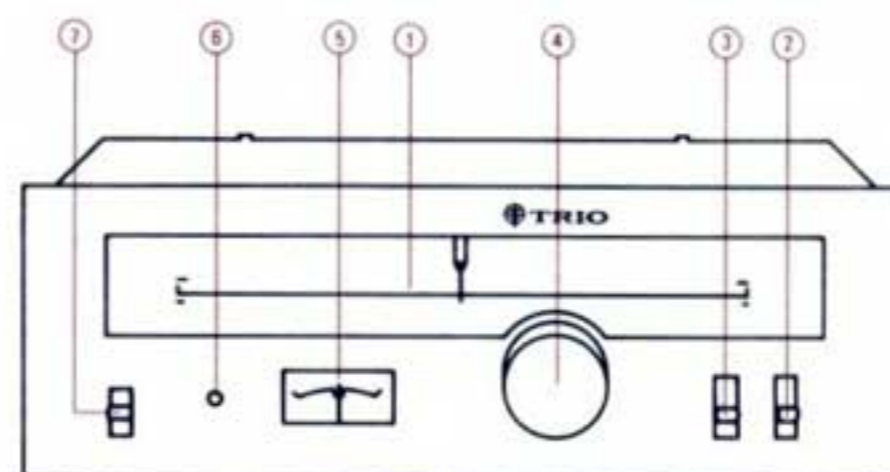
KA-5500



- 1 Illuminated output meters
- 2 Output meter range selector

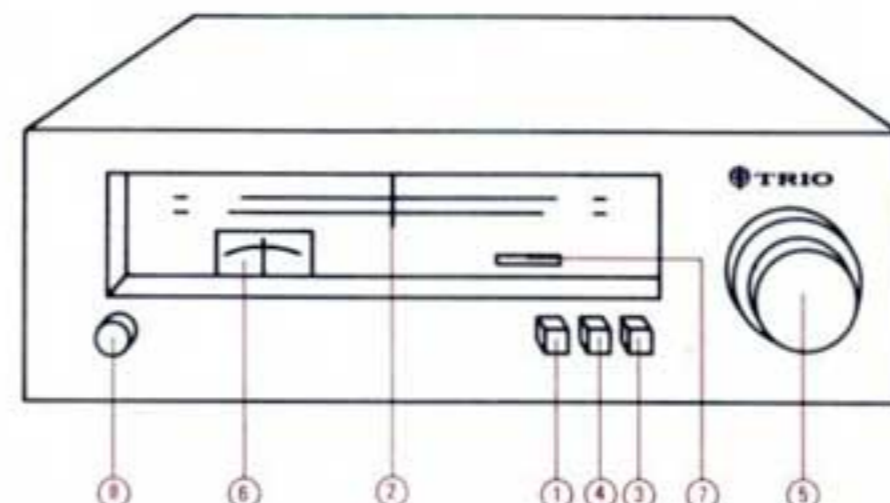
- 3 Bass control
- 4 Treble control
- 5 Stereo/mono switch
- 6 Input selector
- 7 Power switch
- 8 Headphone socket
- 9 Loudspeaker selector
- 12 Volume control
- 15 Low filter
- 17 Tape dubbing selector
- 18 A-B tape input selector
- 19 Tone defeat switch
- 20 Attenuator switch

KT-5300



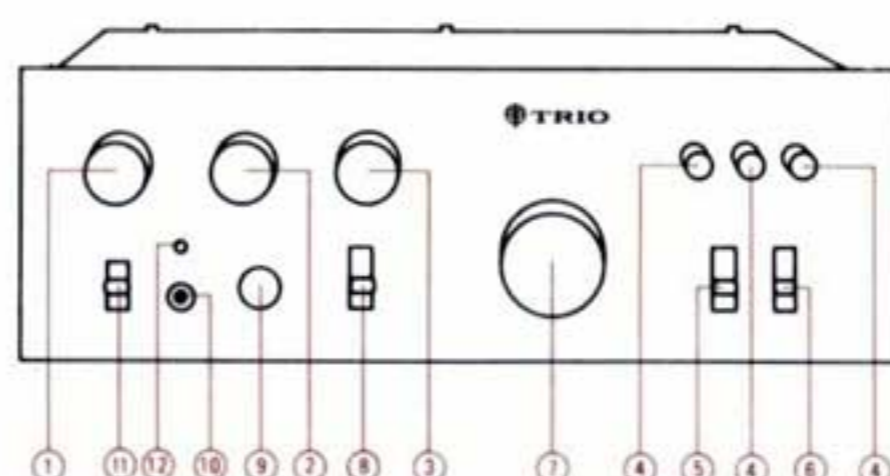
- 1 FM-AM tuning scale
- 2 FM-AM selector switch
- 3 Mono-stereo selector with muting
- 4 Tuning knob
- 5 Combined signal/tuning meter
- 6 Stereo indicator lamp
- 7 Power switch

KT-1300 B



- 1 MPX filter switch
- 2 FM-AM tuning scale
- 3 FM-AM selector switch
- 4 Function selector
- 5 Tuning knob
- 6 Combined signal/tuning meter
- 7 Stereo indicator lamp
- 8 Power switch

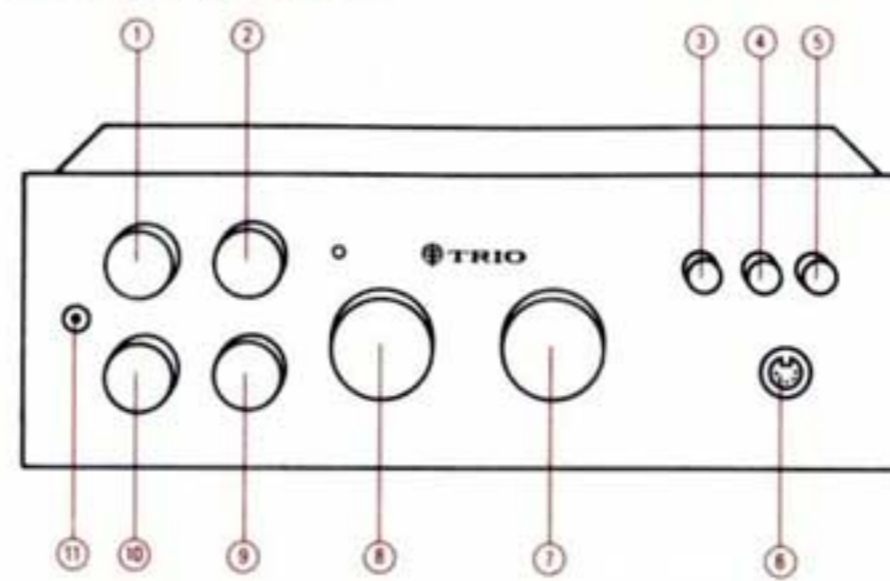
KA-3500



- 1 Loudspeaker selector
- 2 Bass control

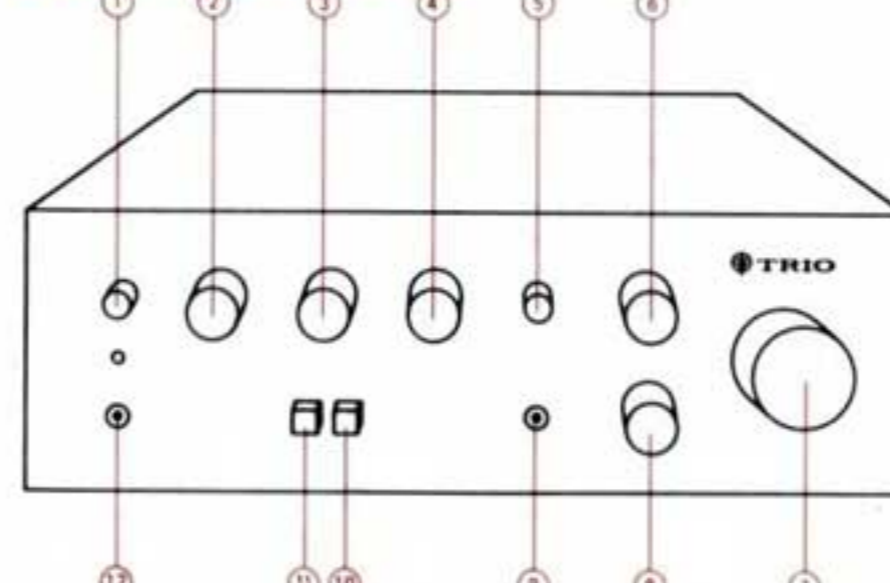
- 3 Treble control
- 4 Input selectors
- 5 Tape dubbing selector
- 6 A-B tape input selector
- 7 Volume control
- 8 Three position Loudness/High filter
- 9 Balance control
- 10 Headphone socket
- 11 Power switch
- 12 Mains indicator

KA-1500



- 1 Power switch
- 2 Balance control
- 3 Loudness control
- 4 Tape A input selector
- 5 Tape B input selector
- 6 Tape B input
- 7 Input selector
- 8 Volume control
- 9 Treble control
- 10 Bass control
- 11 Headphone socket

KA-1200 B



- 1 Power switch
- 2 Loudspeaker selector
- 3 Bass control
- 4 Treble control
- 5 Loudness control
- 6 Input selector
- 7 Volume control
- 8 Balance control
- 9 Microphone input
- 10 Mono-stereo switch
- 11 Tape monitor switch
- 12 Headphone socket

Specifications III

	600 T	KT-8300	KT-7300	KT-5300	MODEL 600	KA-8300	KA-7300	KA-5500	KA-3500	KA-1500
FM Section										
Sensitivity (IHF)	1.6 uV	1.6 uV	1.8 uV	1.9 uV						
Quieting (50 dB)	2.8 uV	2.8 uV	3.8 uV	5 uV						
Frequency response	20 Hz-15 KHz	20 Hz-15 KHz	20 Hz-15 KHz	30 Hz-15 KHz						
THD	0.05 %	0.08 %	0.1 %	0.2 %						
S/N ratio	82 dB	78 dB	73 dB	70 dB						
Image rejection	120 dB	110 dB	85 dB	50 dB						
Selectivity (IHF)	110 dB	40/110 dB	80 dB	60 dB						
IF rejection	120 dB	110 dB	90 dB	90 dB						
Spurious signal suppression	120 dB	110 dB	90 dB	70 dB						
AM suppression	65 dB	60 dB	60 dB	50 dB						
Capture ratio	0.8 dB	1 dB	1 dB	1 dB						
Stereo separation	45 dB, 50 Hz-10 KHz	45 dB, 50 Hz-10 KHz	45 dB, 50 Hz-10 KHz	30 dB, 50 Hz-10 KHz						
Sub carrier suppression	70 dB	70 dB	65 dB	40 dB						
Antenna impedance	300 & 75 ohms	300 & 75 ohms	300 & 75 ohms	300 & 75 ohms						
AM Section										
Sensitivity	-	18 uV	18 uV	20 uV						
S/N ratio	-	50 dB	50 dB	50 dB						
Image rejection	-	60 dB	60 dB	45 dB						
Selectivity	-	35 dB	35 dB	35 dB						
Output voltage AM	-	0-150 mV/1.2 Kohms	0-150 mV/1.2 Kohms	150 mV/1.2 Kohms						
FM	0-1.5 V/100 ohms	0-1.5 V/1.2 Kohms	0-700 mV/1.2 Kohms	700 mV/1.2 Kohms						
Power Amplifier										
RMS power output, both channels driven, 8 ohms 20 Hz-20 KHz	2 x 130 W	2 x 80 W	2 x 65 W	2 x 55 W	2 x 40 W	2 x 25 W				
THD at rated power	0.08 %	0.1 %	0.1 %	0.1 %	0.2 %	0.1 %				
THD at 1 watt	0.03 %	0.04 %	0.04 %	0.06 %	0.06 %	0.05 %				
IMD at rated power	0.08 %	0.1 %	0.1 %	0.1 %	0.2 %	0.1 %				
IMD at 1 watt	0.03 %	0.04 %	0.04 %	0.06 %	0.06 %	0.05 %				
Power bandwidth	5 Hz-50 KHz	5 Hz-40 KHz	5 Hz-60 KHz	5 Hz-40 KHz	10 Hz-40 KHz	20 Hz-35 KHz				
Damping factor (8 ohms)	50	50	50	50	50	30				
Output impedance	4-16 ohms	4-16 ohms	4-16 ohms	4-16 ohms	4-16 ohms	4-16 ohms				
S/N ratio	115 dB	100 dB	110 dB	100 dB	-	-				
Preamp section										
Phono 1	2.5 mV/30,50,100 Kohms	2.5 mV/50 Kohms	2.5 mV/50 Kohms	2.5 mV/50 Kohms	2.5 mV/50 Kohms	2.5 mV/50 Kohms				
Phono 2	2.5-5 mV/50 Kohms	2.5 mV/50 Kohms	2.5 mV/50 Kohms	-	-	-				
Tuner	150 mV/50 Kohms	150 mV/50 Kohms	150 mV/50 Kohms	150 mV/50 Kohms	150 mV/50 Kohms	160 mV/50 Kohms				
Aux	150 mV/50 Kohms	150 mV/50 Kohms	150 mV/50 Kohms	150 mV/50 Kohms	150 mV/50 Kohms	160 mV/50 Kohms				
Tape	150 mV/50 Kohms	150 mV/50 Kohms	150 mV/50 Kohms	150 mV/50 Kohms	150 mV/50 Kohms	160 mV/50 Kohms				
Mic	-	-	-	-	-	-				
S/N ratio										
Phono 1	76 dB	72 dB	76 dB	76 dB	76 dB	70 dB				
Phono 2	76 dB	72 dB	76 dB	-	-	-				
Tuner	90 dB	90 dB	90 dB	90 dB	90 dB	90 dB				
Aux	90 dB	90 dB	90 dB	90 dB	90 dB	90 dB				
Tape	90 dB	90 dB	90 dB	90 dB	90 dB	90 dB				
Phono overload level	220 mV	260 mV	200 mV	200 mV	200 mV	150 mV				
Tape Output: Line										
DIN	150 mV/100 ohms	150 mV/100 ohms	150 mV/100 ohms	150 mV/100 ohms	150 mV/100 ohms	160 mV/240 ohms				
Phono frequency response	30 mV/80 Kohms	30 mV/80 Kohms	30 mV/80 Kohms	30 mV/80 Kohms	30 mV/80 Kohms	30 mV/39 Kohms				
Aux, Tape, Tuner	RIAA ± 0.2 dB	RIAA ± 0.3 dB	RIAA ± 0.3 dB	RIAA ± 0.3 dB	RIAA ± 0.5 dB	RIAA ± 0.5 dB				
Tuner Frequency response										
	5 Hz-70 KHz ± 1 dB	20 Hz-40 KHz ± 0.3 dB	20 Hz-40 KHz ± 0.3 dB	20 Hz-40 KHz ± 0.5 dB	20 Hz-20 KHz ± 2 dB	20 Hz-30 KHz ± 1 dB				
Bass control										
at 400 Hz	± 7.5 dB at 100 Hz	± 7.5 dB at 100 Hz	± 7.5 dB at 100 Hz	± 10 dB at 100 Hz	± 8 dB at 100 Hz	± 8 dB at 100 Hz				
at 150 Hz	± 7.5 dB at 40 Hz	± 7.5 dB at 40 Hz	± 7.5 dB at 40 Hz	-	-	-				
Treble control										
at 3 KHz	± 7.5 dB at 10 KHz	± 7.5 dB at 10 KHz	± 7.5 dB at 10 KHz	± 10 dB at 10 KHz	± 8 dB at 10 KHz	± 8 dB at 10 KHz				
at 6 KHz	± 7.5 dB at 20 KHz	± 7.5 dB at 20 KHz	± 7.5 dB at 20 KHz	-	-	-				
Loudness control (-30 dB)										
at 100 Hz	-	-	-	-	-	-				
at 10 KHz	-	-	-	-	-	+ 6 dB				
Step 1	+ 2 dB at 100 Hz	+ 7.5 dB at 100 Hz/2 dB at 10 KHz	+ 3 dB at 50 Hz	-	-	+ 6 dB				
Step 2	+ 4 dB at 100 Hz	+ 3.5 dB at 100 Hz	+ 6 dB at 50 Hz	-	-	-				
Step 3	+ 6 dB at 100 Hz	-	+ 10 dB at 50 Hz	-	-	-				
Step 4	+ 8 dB at 100 Hz/3 dB at 10 KHz	-	-	-	-	-				
High filter										
Low filter	12 dB/oct at 8 KHz	12 dB/oct at 8 KHz	12 dB/oct at 8 KHz	-	6 dB/oct at 7 KHz	-				
Subsonic filter	12 dB/oct at 40 Hz	12 dB/oct at 40 Hz	12 dB/oct at 40 Hz	12 dB/oct at 40 Hz	-	-				
Presence control	-	-	12 dB/oct at 18 Hz	-	-	-				
at 800 Hz	+ 6 dB	+ 6 dB	+ 6 dB	-	-	-				
at 3 KHz	+ 6 dB	+ 6 dB	+ 6 dB	-	-	-				
Acoustic control at 50 Hz	-	-	-	-	-	-				
Attenuator										
Step 1	0 dB	-	-	0 dB	-	-				
Step 2	- 15 dB	-	-	- 20 dB	-	-				
Step 3	- 30 dB	-	-	-	-	-				
Power requirements										
Power consumption (max)	240 V AC	240 V AC	240 V AC	240 V AC	240 V AC	240 V AC				
Dimensions (mm)	790 watts	550 watts	450 watts	340 watts	28 watts	250 watts				
Weight (kg)	440 x 154 x 388	430 x 149 x 376	430 x 149 x 376	340 x 140 x 255	380 x 140 x 255	380 x 140 x 255				
	21.3	16	14	10.5	7.5	7.2				

Specifications IV

KT-1300 B

3 uV
5 uV
50 Hz-13 KHz
0.8 %
60 dB
40 dB
41 dB
80 dB
80 dB
50 dB
3 dB
30 dB, 1 KHz
45 dB
300 & 75 ohms

20 uV
40 dB
45 dB
26 dB
150 mV/1.2 Kohms
1 V/1.2 Kohms

KA-1200 B

2 x 13 W
0.8 %
0.1 %
0.8 %
0.1 %
20 Hz-40 KHz
30
4-16 ohms

2.5 mV/50 Kohms
-
150 mV/50 Kohms
150 mV/50 Kohms
150 mV/50 Kohms
3 mV/50 Kohms

68 dB
-
80 dB
80 dB
80 dB
150 mV

150 mV/110 ohms
30 mV/80 Kohms
RIAA ± 1 dB

20 Hz-20 KHz ± 2 dB

± 10 dB at 100 Hz

± 10 dB at 10 KHz

+ 8 dB
+ 5 dB

+ 3 dB at 50 Hz

+ 6 dB at 50 Hz

12 dB/oct at 10 KHz
12 dB/oct at 100 Hz

240 V AC
120 watts
372 x 125 x 251
4.9

KR-9600

1.6 uV
2.5 uV
20 Hz-15 KHz
0.1 %
78 dB
110 dB
83 dB
110 dB
110 dB
65 dB
1.3 dB
35 dB, 50 Hz-10 KHz
65 dB
300 & 75 ohms

15 uV
55 dB
70 dB
40 dB

2 x 160 W
0.08 %
0.03 %
0.08 %
0.03 %
5 Hz-35 KHz
50
4-16 ohms

2.5 mV/50 Kohms
5 mV/50 Kohms
-
150 mV/50 Kohms
150 mV/50 Kohms
1.5 mV/50 Kohms

75 dB
75 dB
-
90 dB
90 dB
500 mV

150 mV/100 ohms
30 mV/80 Kohms
RIAA ± 0.3 dB

5 Hz-50 KHz ± 1 dB

± 10 dB at 100 Hz

± 10 dB at 10 KHz

+ 3 dB at 50 Hz

+ 6 dB at 50 Hz

12 dB/oct at 10 KHz
12 dB/oct at 100 Hz

240 V AC
850 watts
580 x 169 x 420
24

KR-6600

1.7 uV
3 uV
20 Hz-15 KHz
0.15 %
75 dB
85 dB
80 dB
100 dB
85 dB
65 dB
1.5 dB
35 dB, 50 Hz-10 KHz
65 dB
300 & 75 ohms

20 uV
50 dB
45 dB
35 dB

2 x 60 W
0.3 %
0.05 %
0.3 %
0.1 %
7 Hz-50 KHz
45
4-16 ohms

2.5 mV/50 Kohms
2.5 mV/50 Kohms
-
150 mV/50 Kohms
150 mV/50 Kohms
1.5 mV/50 Kohms

75 dB
75 dB
-
90 dB
90 dB
180 mV

150 mV/100 ohms
30 mV/80 Kohms
RIAA ± 0.5 dB

20 Hz-50 KHz ± 1 dB

± 8 dB at 100 Hz

± 8 dB at 10 KHz

+ 8 dB
+ 5 dB

+ 6 dB

- 10 dB at 10 KHz
- 10 dB at 100 Hz

+ 6 dB
+ 6 dB

240 V AC
480 watts
524 x 151 x 365
16.3

KR-5600

1.8 uV
3 uV
20 Hz-15 KHz
0.15 %
75 dB
85 dB
80 dB
100 dB
85 dB
65 dB
1.5 dB
35 dB, 50 Hz-10 KHz
40 dB
300 & 75 ohms

20 uV
50 dB
45 dB
35 dB

2 x 40 W
0.5 %
0.06 %
0.5 %
0.15 %
7 Hz-35 KHz
40
4-16 ohms

2.5 mV/50 Kohms
2.5 mV/50 Kohms
-
150 mV/50 Kohms
150 mV/50 Kohms

70 dB
70 dB
-
90 dB
90 dB
170 mV

150 mV/100 ohms
30 mV/80 Kohms
RIAA ± 0.5 dB

20 Hz-50 KHz ± 1 dB

± 8 dB at 100 Hz

± 8 dB at 10 KHz

+ 8 dB
+ 5 dB

- 10 dB at 10 KHz

240 V AC
300 watts
500 x 140 x 334
11.2

KR-4600

1.8 uV
3 uV
20 Hz-15 KHz
0.15 %
75 dB
85 dB
80 dB
100 dB
85 dB
65 dB
1.5 dB
35 dB, 50 Hz-10 KHz
40 dB
300 & 75 ohms

20 uV
50 dB
45 dB
35 dB

2 x 30 W
0.5 %
0.07 %
0.5 %
0.2 %
7 Hz-45 KHz
40
4-16 ohms

2.5 mV/50 Kohms
2.5 mV/50 Kohms
-
150 mV/50 Kohms
150 mV/50 Kohms

70 dB
70 dB
-
90 dB
90 dB
170 mV

150 mV/100 ohms
30 mV/80 Kohms
RIAA ± 0.5 dB

20 Hz-50 KHz ± 1.5 dB

± 8 dB at 100 Hz

± 8 dB at 10 KHz

+ 8 dB
+ 5 dB

- 10 dB at 10 KHz

240 V AC
230 watts
500 x 140 x 334
10.6

KR-3600

2.3 uV
4 uV
20 Hz-15 KHz
0.2 %
73 dB
50 dB
60 dB
90 dB
80 dB
50 dB
2 dB
35 dB, 50 Hz-10 KHz
40 dB
300 & 75 ohms

25 uV
48 dB
45 dB
25 dB

2 x 22 W
0.8 %
0.08 %
0.8 %
0.2 %
7 Hz-35 KHz
35
4-16 ohms

2.5 mV/50 Kohms
-
-
150 mV/45 Kohms
150 mV/45 Kohms

70 dB
-
-
90 dB
90 dB
150 mV

150 mV/100 ohms
30 mV/80 Kohms
RIAA ± 0.5 dB

20 Hz-50 KHz ± 1.5 dB

± 8 dB at 100 Hz

± 8 dB at 10 KHz

+ 8 dB
+ 5 dB

- 10 dB at 10 KHz

240 V AC
180 watts
500 x 140 x 302
8.7

KR-2600

2.5 uV
4.5 uV
20 Hz-15 KHz
0.3 %
70 dB
50 dB
50 dB
80 dB
80 dB
55 dB
2.5 dB
33 dB, 1 KHz
40 dB
300 & 75 ohms

25 uV
48 dB
45 dB
25 dB

2 x 15 W
0.8 %
0.1 %
0.8 %
0.2 %
10 Hz-45 KHz
30
4-16 ohms

2.5 mV/50 Kohms
-
-
50 mV/45 Kohms
50 mV/45 Kohms

70 dB
-
-
90 dB
90 dB
140 mV

150 mV/100 ohms
-
RIAA ± 0.8 dB

20 Hz-30 KHz ± 1.5 dB

± 8 dB at 100 Hz

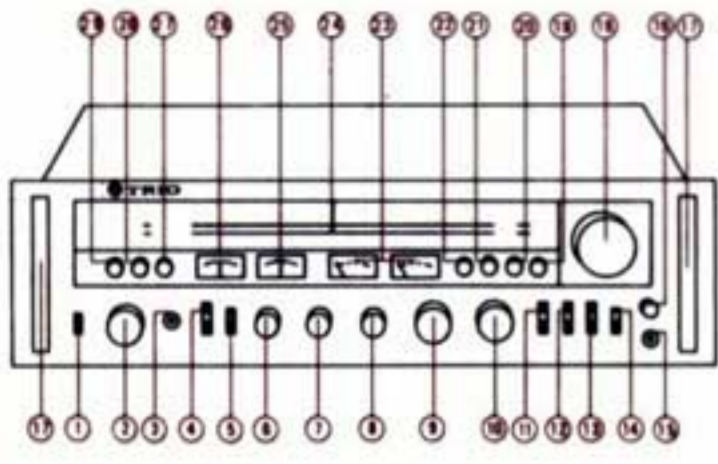
± 8 dB at 10 KHz

+ 8 dB
+ 5 dB

- 10 dB at 10 KHz

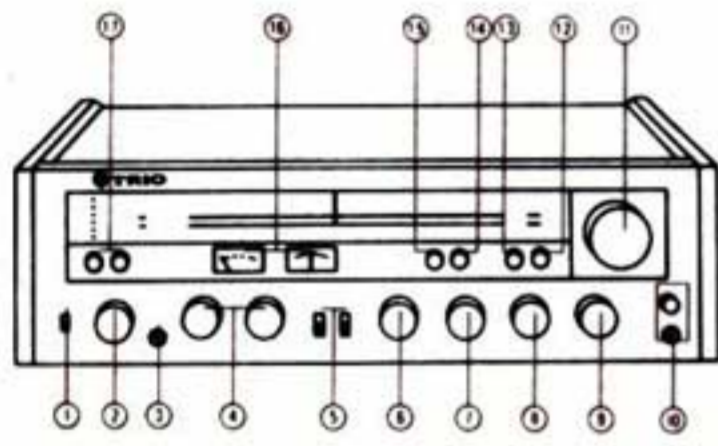
240 V AC
125 watts
438 x 135 x 300

KR-9600



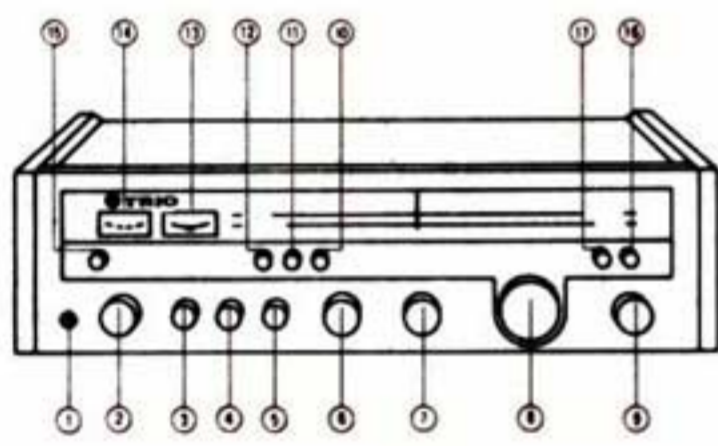
- 1 Power switch
- 2 Loudspeaker selector
- 3 Headphone socket
- 4 Loudness control
- 5 Tone defeat switch
- 6, 7, 8 Bass, mid and treble controls
- 9 Volume & balance controls
- 10 Input selector
- 11 Stereo, mono, reverse switch
- 12 A-B tape selector
- 13 Tape dubbing selector
- 14, 15, 16 Microphone input with Sound Injection control
- 17 Carrying handles
- 18 Tuning knob
- 19 FM muting control
- 20 De-emphasis control
- 21 Signal/Deviation selector
- 22 Out put meter meter range selector
- 23 Output power meters
- 24 AM-FM tuning scale
- 25 Centre zero tuning meter
- 26 Signal strength/deviation meter
- 27 Attenuator switch
- 28, 29 Low and high filters

KR-6600



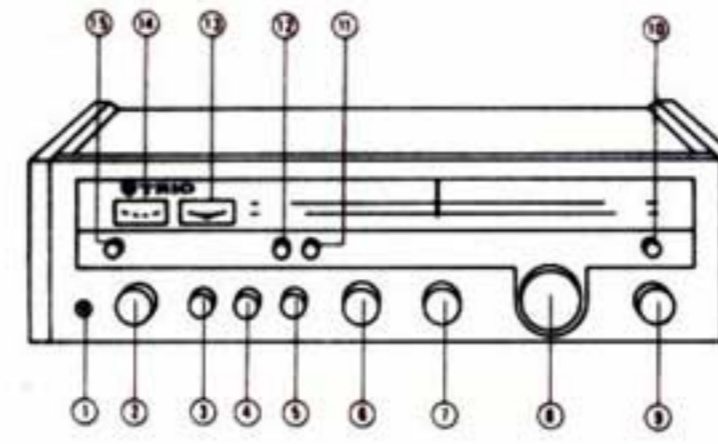
- 1 Power switch
- 2 Loudspeaker selector
- 3 Headphone socket
- 4 Bass and treble controls
- 5 Acoustic
- 6 Balance control
- 7 Volume control
- 8 Tape selector with dubbing facility
- 9 Input selector
- 10 Microphone with Sound Injection control
- 11 Tuning knob
- 12 FM muting control
- 13 De-emphasis selector
- 14 Loudness control
- 15 Mono-stereo selector
- 16 Signal strength and tuning meters
- 17 High and low filters

KR-5600



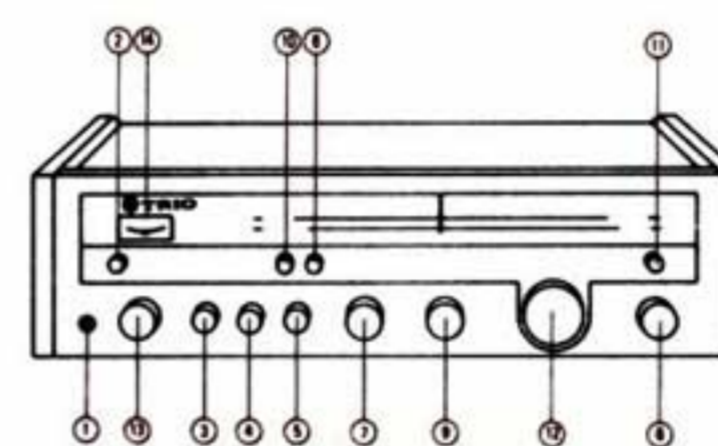
- 1 Headphone socket
- 2 Loudspeaker selector
- 3 Bass control
- 4 Treble control
- 5 Balance control
- 6 Volume control
- 7 Tape selector with dubbing facility
- 8 Tuning knob
- 9 Input selector
- 10 Mono-stereo selector
- 11 Loudness control
- 12 High filter
- 13 Centre zero tuning meter
- 14 Signal strength meter
- 15 Power switch
- 16 De-emphasis selector
- 17 FM muting control

KR-4600



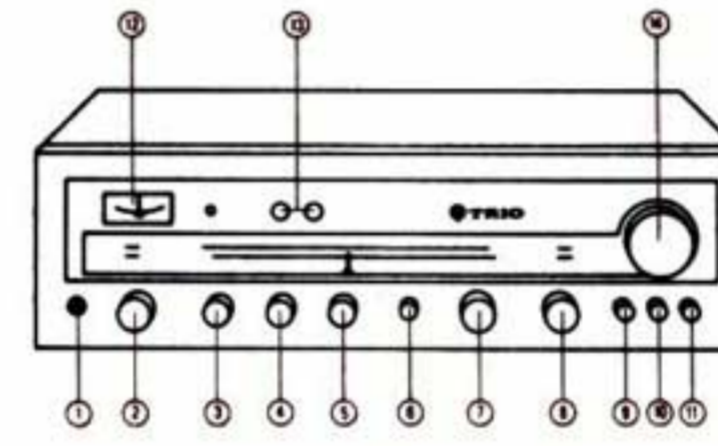
- 1 Headphone socket
- 2 Loudspeaker selector
- 3 Bass control
- 4 Treble control
- 5 Balance control
- 6 Volume control
- 7 Tape selector with dubbing facility
- 8 Tuning knob
- 9 Input selector
- 10 Mono-stereo switch
- 11 Loudness control
- 12 High filter
- 13 Centre zero tuning meter
- 14 Signal strength meter
- 15 Power switch

KR-3600



- 1 Headphone socket
- 2 Power switch
- 3 Bass control
- 4 Treble control
- 5 Balance control
- 6 Loudness control
- 7 Volume control
- 8 Input selector
- 9 Tape monitor switch
- 10 High filter
- 11 Mono-stereo selector
- 12 Tuning knob
- 13 Loudspeaker selector
- 14 Combined signal/tuning meters

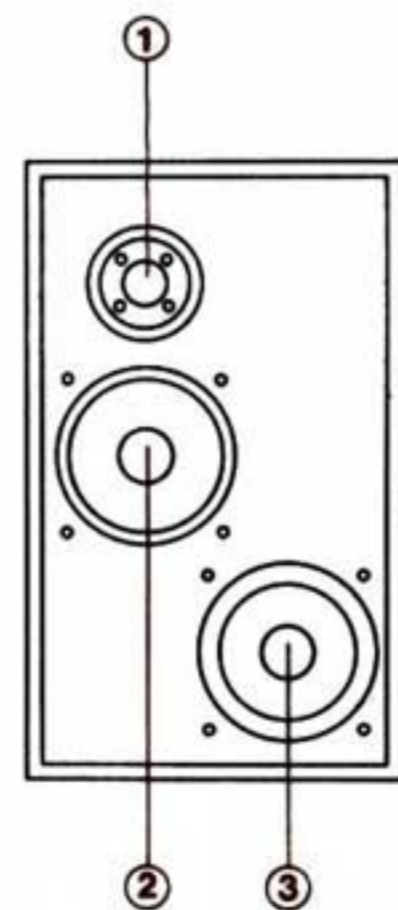
KR-2600



- 1 Headphone socket
- 2 Power switch
- 3 Bass control
- 4 Treble control
- 5 Balance control
- 6 Loudness control
- 7 Volume control
- 8 Input selector
- 9 Tape monitor switch
- 10 High filter
- 11 Mono-stereo selector
- 12 Combined signal/tuning meters
- 13 Loudspeaker selectors
- 14 Tuning knob

LS-330

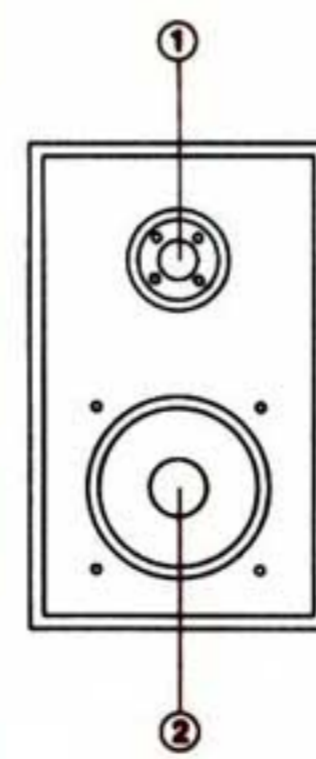
- 1 25 mm dome tweeter
- 2 160 mm dual-cone midrange unit
- 3 160 mm bass unit



Power handling	60 W
Frequency response	35 Hz-20 KHz
Impedance	8 ohms
Crossover type	5-element, L-C-R
Crossover frequencies	300 Hz, 3 KHz
Dimensions (mm)	308 x 524 x 246
Finish	Oil rubbed walnut

LS-220

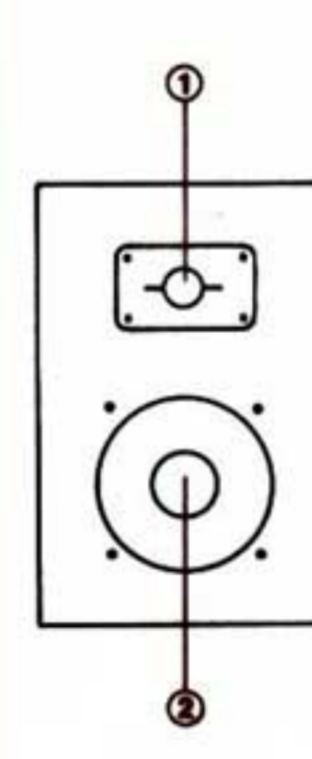
- 1 25 mm dome tweeter
- 2 204 mm bass unit



Power handling	60 W
Frequency response	40 Hz-20 KHz
Impedance	8 ohms
Crossover type	4-element, L-C-R
Crossover frequencies	3 KHz
Dimensions (mm)	272 x 462 x 218
Finish	Oil rubbed walnut

LS-203

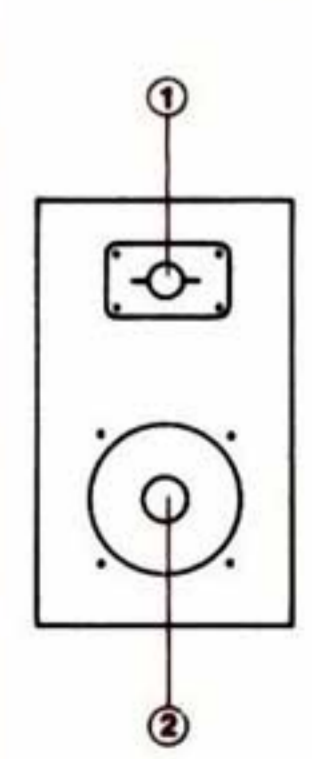
- 1 19 mm dome tweeter
- 2 195 mm bass unit



Power handling	30 W
Frequency response	38 Hz-25 KHz
Impedance	8 ohms
Crossover type	3-element, L-C
Crossover frequencies	3.5 KHz
Dimensions (mm)	280 x 460 x 205
Finish	Oil rubbed walnut

LS-202 A

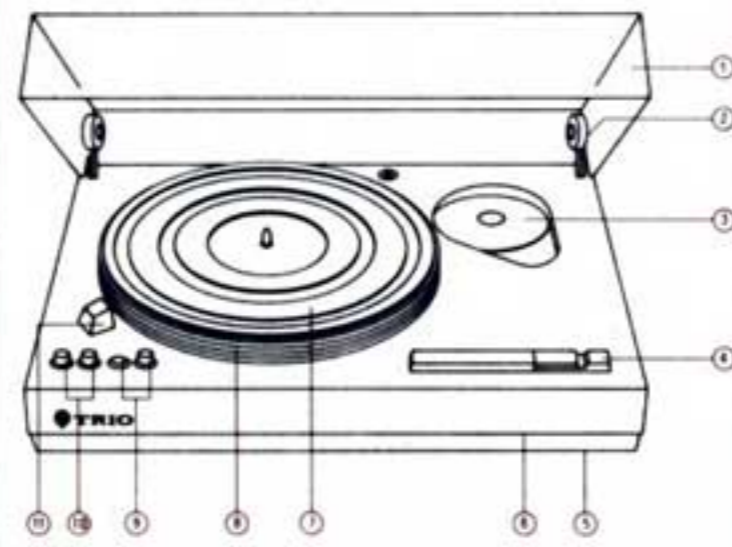
- 1 19 mm dome tweeter
- 2 160 mm bass unit



Power handling	30 W
Frequency response	40 Hz-20 KHz
Impedance	8 ohms
Crossover type	2-element, L-C
Crossover frequencies	1.7 KHz
Dimensions (mm)	260 x 420 x 180
Finish	Oil rubbed walnut

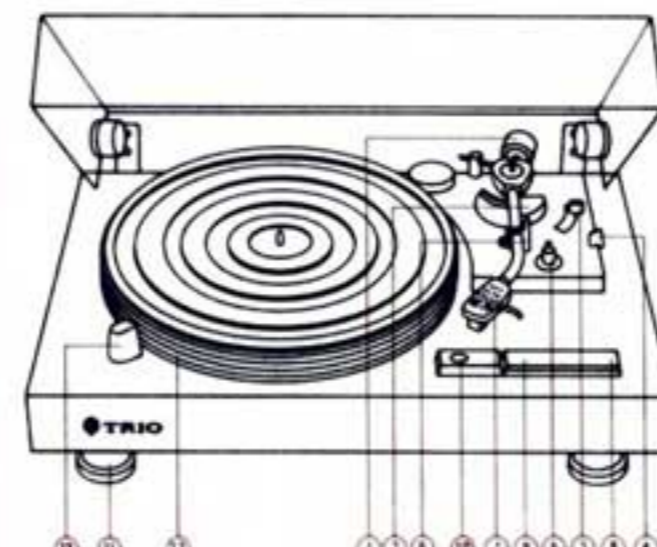
Specifications VI

KD-500



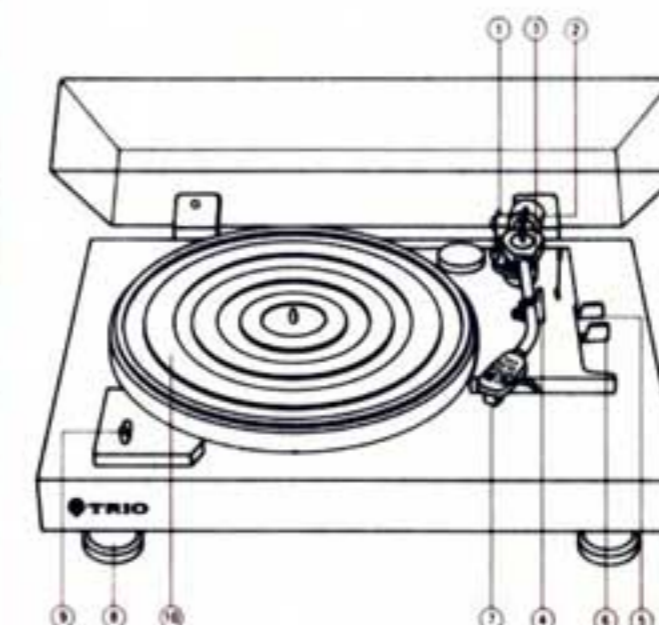
- 1 Acrylic dust cover
- 2 Friction hinge system
- 3 Tone-arm mounting plate
- 4 Power switch
- 5 Adjustable feet with built-in damping
- 6 Anti-resonance ARCB plinth system
- 7 Heavy die-cast turntable
- 8 Strobe calibration
- 9 Speed selectors
- 10 Fine speed adjusters
- 11 Strobe lamp

KD-5033



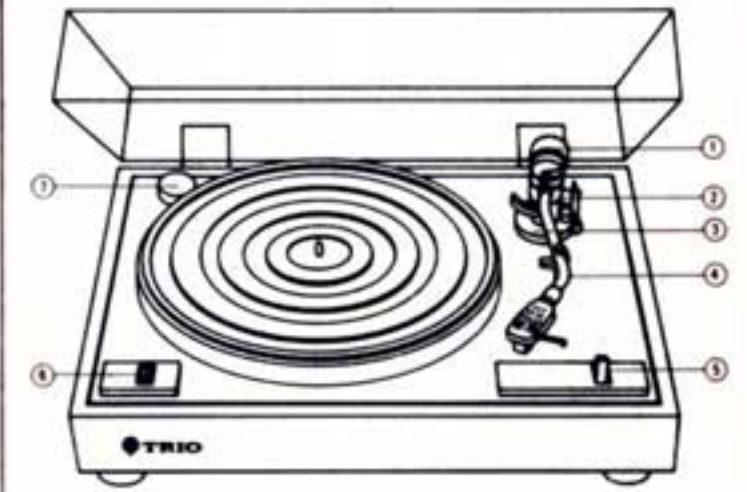
- 1 Static counter-balance
- 2 Cueing mechanism
- 3 Record size selector
- 4 Speed controls with fine adjustment
- 5 Bias compensation device
- 6 Precision tone-arm
- 7 Light-weight headshell
- 8 Power switch
- 9 Repeat play switch
- 10 Mains indicator
- 11 Anti-acoustic feedback feet
- 12 Strobe calibration
- 13 Strobe lamp

KD-2044/ KD-2033



- 1 Bias compensation system
- 2 Static counter-balance
- 3 Cueing mechanism
- 4 Precision tone arm
- 5 Cut-play control
- 6 Combined play and power control
- 7 Lightweight headshell
- 8 Anti-acoustic feedback feet
- 9 Speed selector
- 10 Heavy die-cast turntable

KD-1033



- 1 Static counter balance
- 2 Bias compensation system
- 3 Tone arm cue lift
- 4 Precision tone arm
- 5 Combined play/power control with cue mechanism
- 6 Speed selector
- 7 Holder for E. P. adaptor

Motor	Direct drive	Direct drive	4-pole synchronous	4-pole synchronous
Platter	300 mm Die-cast aluminium	Synchronous for arm functions 300 mm Die-cast aluminium	300 mm Die-cast aluminium	300 mm Die-cast zinc
Speeds	33 & 45 r.p.m.	33 & 45 r.p.m.	33 & 45 r.p.m.	33 & 45 r.p.m.
Speed adjustment	± 8 %	± 8 %	-	-
Wow and flutter (WRMS)	0.03 %	0.05 %	0.06 %	0.06 %
Rumble (DIN unweighted)	- 50 dB	- 58 dB	- 49 dB	-
Rumble (DIN weighted)	- 70 dB	-	-	- 64 dB
Tone arm length	-	215 mm	215 mm	215 mm
Overhang	-	9.5 mm	9.5 mm	9.5 mm
Tracking angle error	-	± 1.5°	± 1.5°	± 1.5°
Tracking weight range	-	0-4 g	0-4 g	0-3 g
Cartridge weight range	-	4-13 g	4-13 g	4-10 g
Power requirements	240 V AC	240 V AC	240 V AC	240 V AC
Power consumption	9 watts	7 watts	11 watts	7 watts
Dimensions (mm)	502 x 162 x 382	480 x 168 x 350	480 x 168 x 350	456 x 145 x 347
Weight (kg)	14.9	10	6	6



Austria
Tebeq, Bartensteingasse 14, 1010 Wien

Belgium
Trio Kenwood Electronics N.V., Leuvensesteenweg 184-186, 1930 Zaventem

Denmark
Per Frimodt HiFi A.S., Smedeland 7, 2600 Glostrup

Finland
Nores & Co. OY, Fabianinkatu 32, Helsinki 10

France
Trio Kenwood France S.A., 15, Rue Paul Bert, F-94200 Ivry-sur-Seine

Germany
Trio Kenwood Electronics GmbH, Rudolf-Braas-Str. 20, 6056 Heusenstamm

Greece
Argo Hellas, I. Kouskoura 6, Thessaloniki

Holland
Inelco Nederland B.V., Joan Muyskenweg 22, Amsterdam 1006

Hong Kong
Kenwood & Lee Electronics Ltd., Wang Kee Building, Naught Road

Iceland
Falkinn Ltd., 8 Sudurlandsbraut, P.O. Box 5420, Reykjavik

Italy
Kenital, S.p.A., Via Guercino 8, Milano

Japan
Trio Kenwood Corp., 6-17, 3-chome, Aobaidai, Meguro-ku, Tokyo

Norway
Scan-Audio, Stordamsgaret 2, Oslo 6

Portugal
Valentim de Carvalho Ci Sarl, Rua Nova do Almada 95-99, Lisboa 2

Spain
Proyeccion & Sonido S.A., Ronda General Mitre 174-176, Barcelona

Sweden
Elfa Radio & TV AB, 17117 Solna, Industrivagen 23, Stockholm

Switzerland
Spitzer Electronic, Muhlemattstr. 34, 4104 Oberwil/BL

U.S.A.
Kenwood Electronics Inc., 15711 S. Broadway, Gardena, California 90247
Kenwood Electronics Inc., 72-02 51st Avenue, Woodside, New York 11377

Great Britain

b.h. morris and co. (radio) limited

Precision Centre, Heather Park Drive, Wembley, Middx. HA0 1SU
Telephone: 01-902 9422 Telex: 922131

Your Trio dealer